

275/PL 500F



FIXED BOLLARDS WITH COUNTERFRAME

The fixed 275/PL 500F PILOMAT have been designed and built with architectural appearance similar to that of the retractable PILOMAT bollards and therefore also allows the combined use of both versions.

Current models are the result of our 40 years' experience in the security field and in excess of 20 years in the specific design and manufacture of bollards.

GENERAL FEATURES

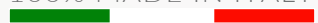
The fixed PILOMAT bollards are used in public or private areas in order to define or prevent the parking of vehicles, for preventing access to vehicles in pedestrian areas. These items, with a counterframe to wall, in addition to the architectural appearance of the automatic PILOMAT, allow the removal of the bollard in the event of such a removal being needed, or if impact has occurred.



PAG.1/2

PILOMAT

100% MADE IN ITALY



PILOMAT s.r.l.
www.pilomat.com / pilomat@pilomat.com
Via Zanica 17/p, 24050, Grassobbio (BG) Italy
Tel. +39.035.29.72.20
Copyright 2016© Pilomat S.r.l. All rights reserved

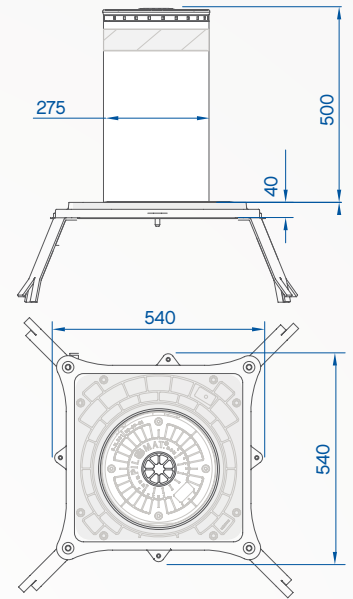
275/PL 500F_DATASHEET.16 REVIEW 16/11/2016

275/PL 500F

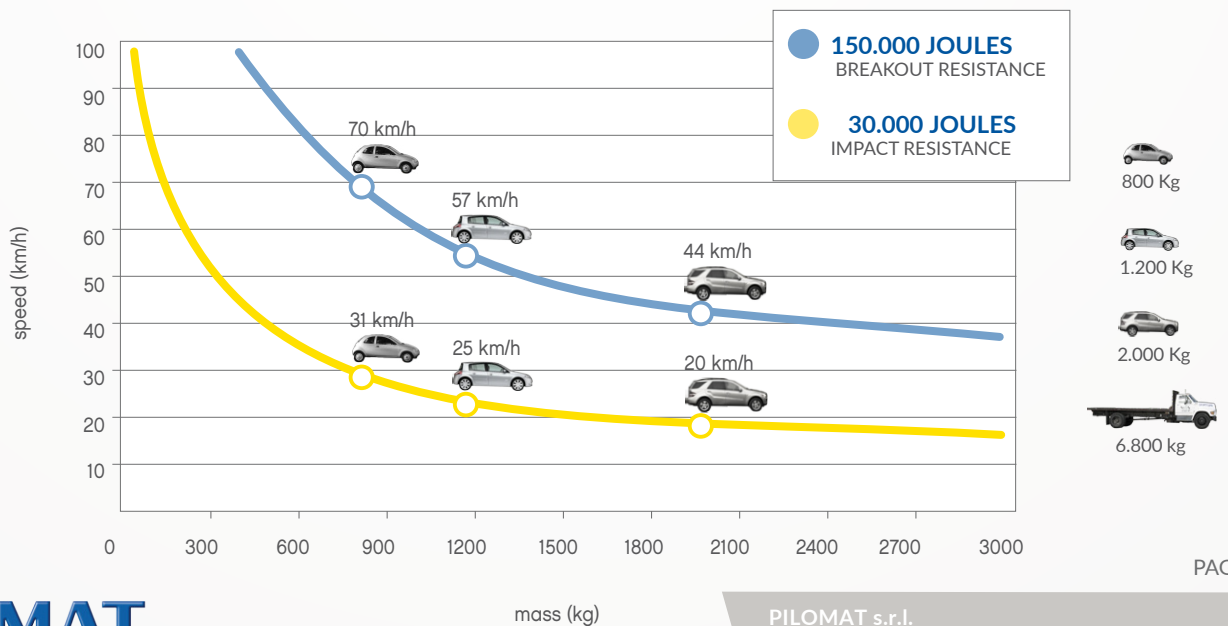


AVAILABLE ITEMS

- PILOMAT BOLLARD 275/PL 500FFEV - NORMAL STEEL PAINTED
- PILOMAT BOLLARD 275/PL 500FIXV - STAINLESS STEEL PAINTED
- PILOMAT BOLLARD 275/PL 500FIXS - STAINLESS STEEL BRUSHED
- RIBS ON FIXED CYLINDER
- HEAD WITHOUT LOGO FOR PILOMAT 275/PL 500F
- REFLECTING ADHESIVE STRIP- WHITE (NO LOGO)
- MULTILED FLASHING LIGHT - 8 LED POINTS
- MULTILED FLASHING LIGHT - 25 LED POINTS
- FLASHING LIGHT POWER CIRCUIT FOR FIXED BOLLARDS (MAX. 4 BOLLARDS)
- PAINTING WITH RAL COLOUR ON REQUEST
- KIT ANTI-TEMPERING SCREWS FOR CROWN - REMOVAL KEY



| | |
|--|--|
| FIXED CYLINDER | NORMAL STEEL FE370 - AISI 304 STAINLESS STEEL - AISI 316 STAINLESS STEEL |
| FIXED CYLINDER DIAMETER | 275mm |
| FIXED CYLINDER HEIGHT | 500mm |
| FIXED CYLINDER NORMAL STEEL THICKNESS | 6mm |
| FIXED CYLINDER STAINLESS STEEL THICKNESS | AISI 304: 6mm - AISI 316: 4mm |
| FIXED CYLINDER NORMAL STEEL FINISH | ANTI-CORROSION TREATMENT - STANDARD PAINTING GREY ANTHRACITE |
| FIXED CYLINDER STAINLESS STEEL FINISH | AS ABOVE OR BRUSHED |
| REFLECTING ADHESIVE STRIP | YES - HEIGHT 55mm |
| PROTECTION CLASS | IP67 |
| IMPACT RESISTANCE (WITHOUT DEFORMATION) | 30.000 J |
| BREAKOUT RESISTANCE | 150.000 J |
| BRACKETS INCLUDED | YES - 4 BRACKETS |
| CONNECTION LINE FOR FLASHING LIGHT | STANDARD 10m (MAX. LENGTH 80m) |



100% MADE IN ITALY

mass (kg)

PILOMAT s.r.l.
 www.pilomat.com / pilomat@pilomat.com
 Via Zanica 17/p, 24050, Grassobbio (BG) Italy
 Tel. +39.035.29.72.20
 Copyright 2016© Pilomat S.r.l. All rights reserved