

120/RM 800



REMOVABLE BOLLARDS

The removable bollard PILOMAT 120/RM 800 are typically used to prevent the parking of unauthorised vehicles, transit and access by unauthorised vehicles in driveways, and protection of shatter-proof windows. Because of the procedure of parking, it is advised that the removable PILOMAT be used only if the amount of daily movements is limited (if not, the automatic PILOMAT should be used) or when the depth of installation does not allow for the installation of the automatic PILOMAT bollards.

GENERAL FEATURES

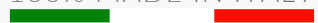
The 120/RM 800 removable PILOMAT have a square base, in the interior there is reinforced steel meant to ensure high resistance to breakage. The 120/RM 800 removable PILOMAT are complete with safety lock, round handle and the roller is placed at the base for easy relocation. The removal of the bollard is carried out using a mechanical key that unlocks the restraint system, allowing for the lifting and removal from the base of the bollard previously cemented into the ground (in addition a plate enclosure base is provided). Once removed, the bollard can be moved and placed on its pedestal at the side of the point protected.



PAG.1/2

PILOMAT

100% MADE IN ITALY



PILOMAT s.r.l.
www.pilomat.com / pilomat@pilomat.com
Via Zanica 17/p, 24050, Grassobbio (BG) Italy
Tel. +39.035.29.72.20
Copyright 2016© Pilomat S.r.l. All rights reserved

120/RM 800_DATASHEET.16 REVIEW 16/11/2016

120/RM 800



AVAILABLE ITEMS

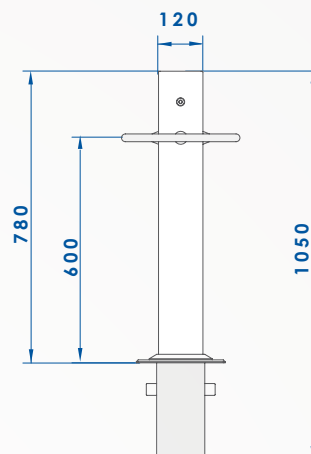
REMOVABLE BOLLARD 120/RM 800IXS – STAINLESS STEEL BRUSHED

SECURITY LOCK

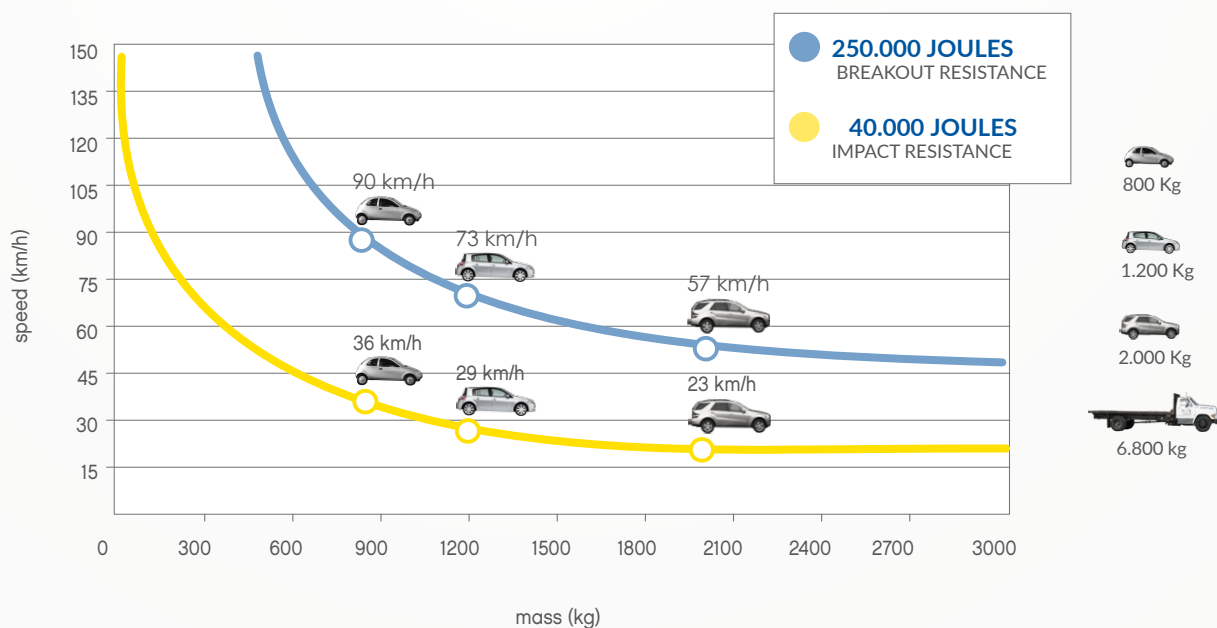
SECURITY LOCK WITH IDENTICAL KEYS

BASEMENT TO BE FIXED INTO THE GROUND

FIXED BOLLARD 120/PF 800IXS - STAINLESS STEEL BRUSHED



REMOVABLE BOLLARD	AISI 304 STAINLESS STEEL
REMOVABLE BOLLARD DIMENSION	120x120mm
REMOVABLE BOLLARD HEIGHT	780mm
REMOVABLE BOLLARD STAINLESS STEEL THICKNESS	10mm
REMOVABLE BOLLARD STAINLESS STEEL FINISH	BRUSHED
REFLECTING ADHESIVE STRIP	NO
IMPACT RESISTANCE (WITHOUT DEFORMATION)	40.000 J
BREAKOUT RESISTANCE	250.000 J
OPERATING TEMPERATURE	-40 °C +60 °C



PAG.2/2



100% MADE IN ITALY

PILOMAT s.r.l.
 www.pilomat.com / pilomat@pilomat.com
 Via Zanica 17/p, 24050, Grassobbio (BG) Italy
 Tel. +39.035.29.72.20
 Copyright 2016© Pilomat S.r.l. All rights reserved

120/RM 800_DATASHEET.16 REVIEW 16/11/2016