

# 275/K12FB 900F



## ANTI-TERRORISM FIXED BOLLARDS WITH BASEMENT

The fixed 275/K12FB 900F PILOMAT have been designed and built with architectural appearance similar to that of the retractable PILOMAT and therefore also allows the combined use of both versions.  
Current models are the result of our 40 years' experience in the security field and in excess of 20 years in the specific design and manufacture of bollards.

### GENERAL FEATURES

The fixed antiterrorism PILOMAT are used to separate and prevent vehicles from breaching the perimeter of the following areas: Research Centres Embassies, Police Headquarters, Military Bases, Ministerial Buildings Sites in Sensitive Areas. These items are designed to ensure antiterrorism defence, and must be cemented into the ground at a depth that meets the standards of breakout resistance.



PAG.1/3



PILOMAT s.r.l.  
www.pilomat.com / pilomat@pilomat.com  
Via Zanica 17/p, 24050, Grassobbio (BG) Italy  
Tel. +39.035.29.72.20  
Copyright 2016© Pilomat S.r.l. All rights reserved

275/K12FB 900F\_DATASHEET.16 REVIEW 16/11/2016

# 275/K12FB 900F



## AVAILABLE ITEMS

PILOMAT BOLLARD 275/K12FB 900FEV - NORMAL STEEL PAINTED

PILOMAT BOLLARD 275/K12FB 900FIXS - STAINLESS STEEL BRUSHED

RIBS ON FIXED CYLINDER - NORMAL STEEL

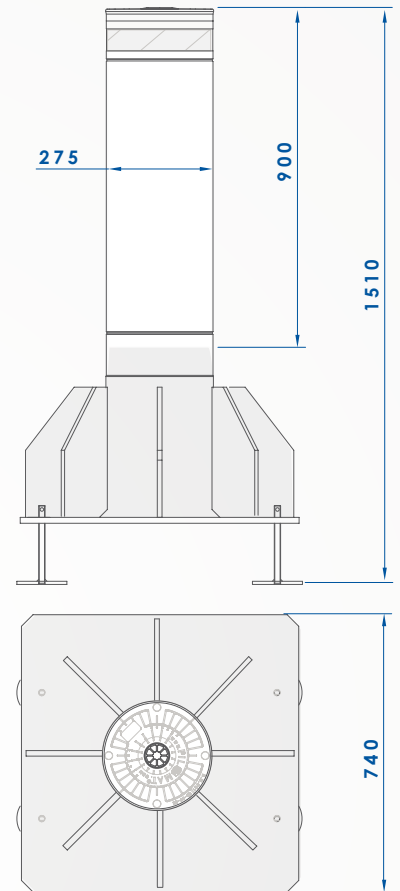
HEAD WITHOUT LOGO FOR PILOMAT 275/K12FB 900F

REFLECTING ADHESIVE STRIP - WHITE (NO-LOGO)

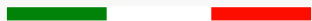
MULTILED FLASHING LIGHT - 25 LED POINTS

FLASHING LIGHT POWER CIRCUIT FOR FIXED BOLLARDS (MAX. 4 BOLLARDS)

PAINTING WITH RAL COLOUR ON REQUEST



100% MADE IN ITALY



# 275/K12FB 900F



|   |  |
|---|--|
| FIXED CYLINDER                          | NORMAL STEEL FE510 - AISI 304 STAINLESS STEEL                |
| FIXED CYLINDER DIAMETER                 | 275mm  |
| FIXED CYLINDER HEIGHT                   | 900mm  |
| FIXED CYLINDER THICKNESS                | 25mm   |
| FIXED CYLINDER NORMAL STEEL FINISH      | ANTI-CORROSION TREATMENT - STANDARD PAINTING GREY ANTHRACITE |
| FIXED CYLINDER STAINLESS STEEL FINISH   | AISI 304 STAINLESS STEEL BRUSHED COVERING                    |
| OTHER CYLINDER FINISH                   | RIBS ON CYLINDER   |
| REFLECTING ADHESIVE STRIP               | YES - HEIGHT 55mm  |
| CONNECTION LINE TO CONTROL UNIT         | STANDARD 10m (MAX. LENGTH 80m)                               |
| PROTECTION CLASS                        | IP67   |
| IMPACT RESISTANCE (WITHOUT DEFORMATION) | 700.000 J  |
| BREAKOUT RESISTANCE                     | 2.000.000 J  |

