

275/P 500A



HYDRAULIC BOLLARD WITH BUILT-IN PUMP

PILOMAT 275/P 500A automatic bollards are the top line products of the PILOMAT range. Current models are the result of our 40 years' experience in the security field and in excess of 20 years in the specific design and manufacture of bollards. The 275/P 500A bollard is recommended for use in any pedestrian areas, private parkings, business parkings, private driveways, business driveways, commercial driveways.

The 275/P 500A is available with a large number of optional accessories that allow you to customize your system according to your security needs.



PAG.1/3

PILOMAT

100% MADE IN ITALY

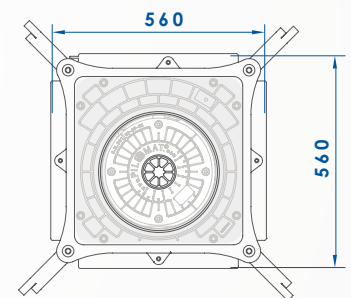
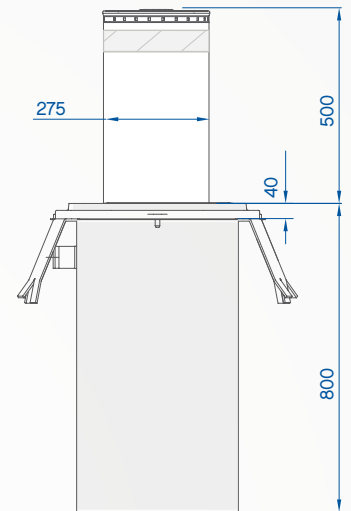


PILOMAT s.r.l.
www.pilomat.com / pilomat@pilomat.com
Via Zanica 17/p, 24050, Grassobbio (BG) Italy
Tel. +39.035.29.72.20
Copyright 2016© Pilomat S.r.l. All rights reserved

275/P 500A_DATASHEET.16 REVIEW 16/11/2016

AVAILABLE ITEMS

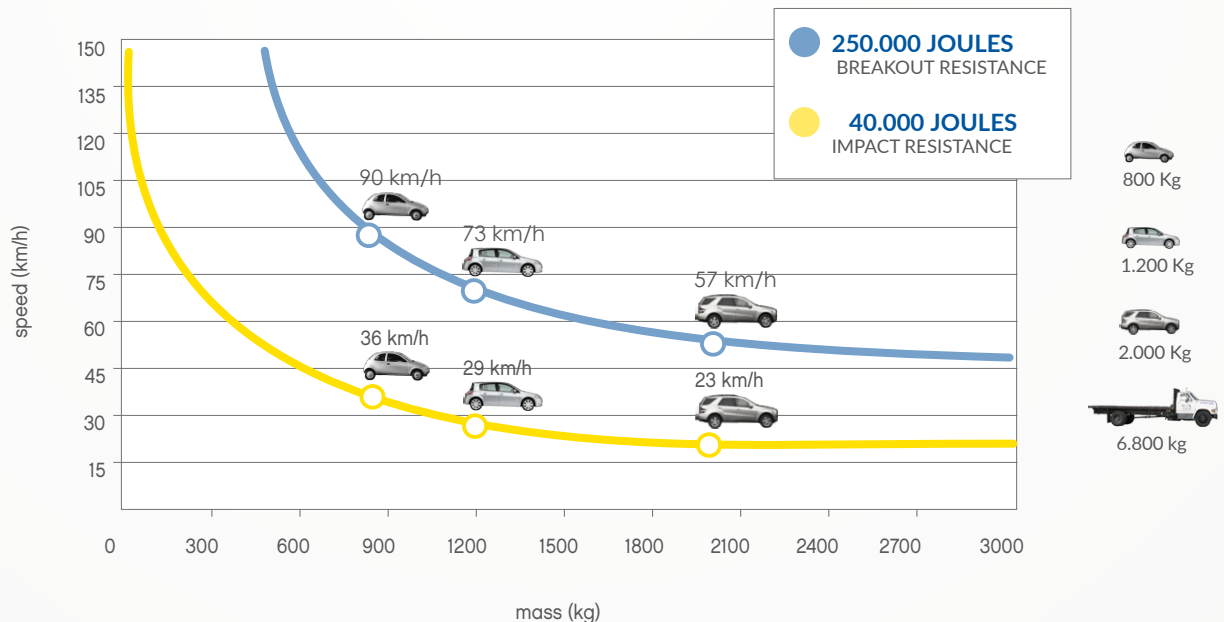
| |
|---|
| PILOMAT BOLLARD 275/P 500AIXV - STAINLESS STEEL PAINTED |
| PILOMAT BOLLARD 275/P 500AIXS - STAINLESS STEEL BRUSHED |
| PIT IN ALUZINC FOR PILOMAT 275/P 500A - COUNTERFRAME AND BRACKETS ONE PIT FOR EACH BOLLARD |
| CONTROL UNIT FOR PILOMAT 275/P 500A |
| MULTILED FLASHING LIGHT- 25 LED POINTS |
| BUZZER ACOUSTIC SIGNAL FOR AUTOMATIC BOLLARD |
| REFLECTING ADHESIVE STRIP - WHITE (NO-LOGO) |
| HEAD WITHOUT LOGO FOR PILOMAT 275/P 500A |
| PAINTING WITH RAL COLOUR ON REQUEST |
| BIODEGRADABLE OIL FOR HYDRAULIC PUMP |
| HEATING RESISTANCE FOR PILOMAT BOLLARDS - TRANSFORMER AND THERMOSTAT ONE RESISTANCE FOR EACH BOLLARD |
| RADIO RECEIVER |
| RADIO TRANSMITTER TWO-CHANNEL |
| TRAFFIC LIGHT WITH TWO LIGHTS (GREEN-RED) |
| INDUCTIVE DETECTOR FOR LOOPS |
| INDUCTIVE LOOPS |
| TIMER PROGRAMMER |
| INDUCTIVE CARD READER |
| LOCK SELECTOR |



275/P 500A



| | |
|---|---|
| MOVING CYLINDER | NORMAL STEEL FE370 |
| MOVING CYLINDER DIAMETER | 275mm |
| MOVING CYLINDER HEIGHT | 500mm |
| MOVING CYLINDER STAINLESS STEEL THICKNESS | 6mm |
| MOVING CYLINDER STAINLESS STEEL FINISH | ANTI-CORROSION TREATMENT - STANDARD PAINTING GREY ANTHRACITE OR BRUSHED |
| OTHER MOVING CYLINDER FINISH | RIBS ON CYLINDER'S SURFACE |
| REFLECTING ADHESIVE STRIP | YES - HEIGHT 55mm |
| RISING SPEED | 15cm/s |
| LOWERING SPEED | 25cm/s |
| MANUAL EMERGENCY LOWERING | YES (ALSO FOR VERSION WITH AUTOMATIC LOWERING IF POWER FAILED) |
| SAFETY REVERSAL PRESSURE SWITCH | YES |
| CONNECTION LINE TO CONTROL UNIT | STANDARD 10m (MAX. LENGTH 80m - WITH HEATING RESISTANCE MAX. 50m) |
| VOLTAGE FOR CONTROL UNIT | 230/400 Vac 50/60Hz |
| HYDRAULIC PUMP | BUILT-IN THE BOLLARD |
| PROTECTION CLASS | IP67 |
| TYPE OF USE | INTENSIVE - LIFE AVERAGE 3.000.000 MOVEMENTS - 2000 MOVEMENTS/DAY |
| IMPACT RESISTANCE (WITHOUT DEFORMATION) | 40.000 J |
| BREAKOUT RESISTANCE | 250.000 J |
| OPERATING TEMPERATURE | -40 °C +70 °C (FOR TEMPERATURES LOWER THAN -10 °C USE THE HEATING RESISTANCE) |



100% MADE IN ITALY

PILOMAT s.r.l.
 www.pilomat.com / pilomat@pilomat.com
 Via Zanica 17/p, 24050, Grassobbio (BG) Italy
 Tel. +39.035.29.72.20
 Copyright 2016© Pilomat S.r.l. All rights reserved