

275/PL 800SA



SEMI-AUTOMATIC BOLLARDS WITH GAS ACTUATOR

The semiautomatic bollard PILOMAT 275/PL 800SA with single gas actuator is designed and built with architectural appearance similar to that of the automatic PILOMAT bollards and therefore also allows the combined use of both versions. Current models are the result of our 40 years' experience in the security field and in excess of 20 years in the specific design and manufacture of bollards.

GENERAL FEATURES

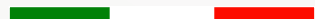
The Semiautomatic PILOMAT are used to define or prevent the stationing or transit of vehicles in pedestrian or private areas. Because of the procedure of parking, it is advised that the semi-automatic PILOMAT be used only if the amount of daily movements is limited.



PAG.1/3

PILOMAT

100% MADE IN ITALY

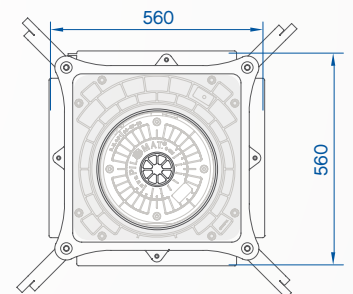
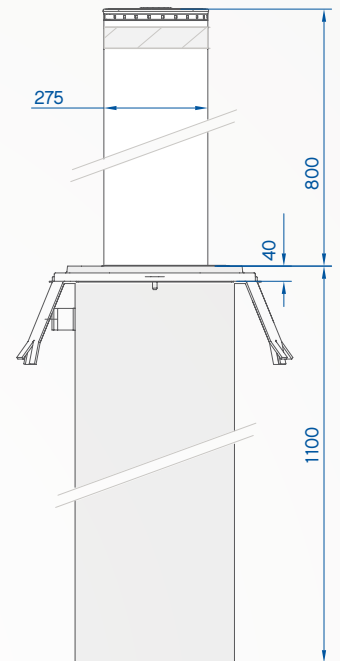


PILOMAT s.r.l.
www.pilomat.com / pilomat@pilomat.com
Via Zanica 17/p, 24050, Grassobbio (BG) Italy
Tel. +39.035.29.72.20
Copyright 2016© Pilomat S.r.l. All rights reserved

275/PL800SA_DATASHEET.16 REVIEW 16/11/2016

AVAILABLE ITEMS

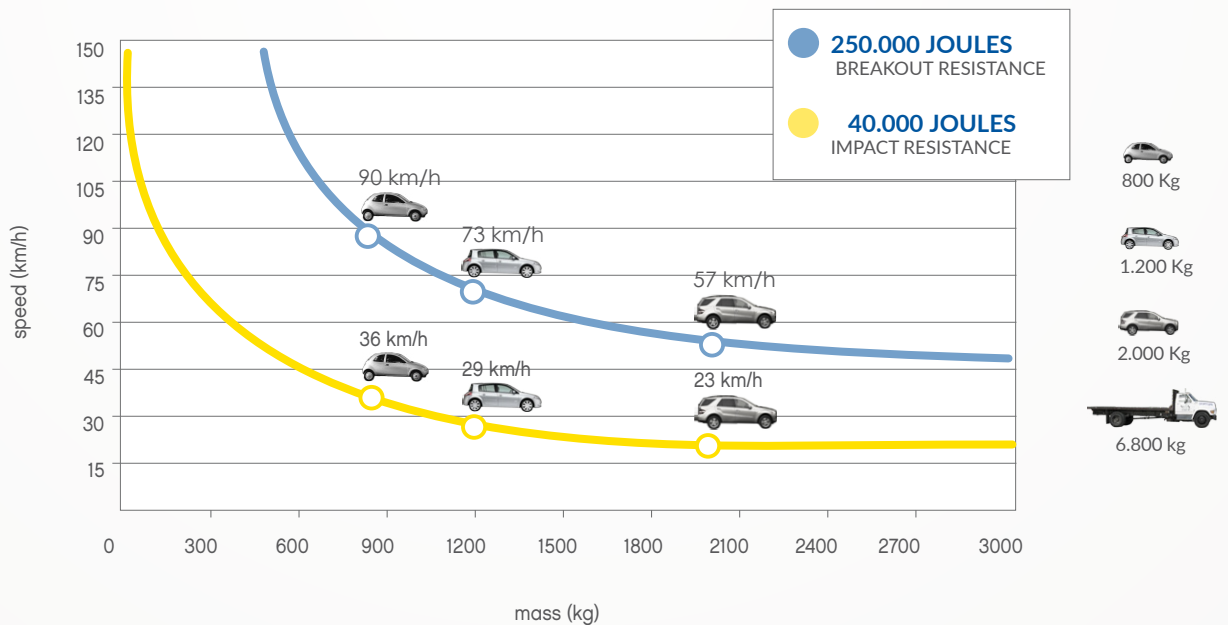
PILOMAT BOLLARD 275/PL 800SAIXV - STAINLESS STEEL PAINTED
PILOMAT BOLLARD 275/PL 800SAIXS - STAINLESS STEEL BRUSHED
RIBS ON MOVING CYLINDER
PIT IN ALUZINC FOR PILOMAT 275/PL 800SA - COUNTERFRAME AND BRACKETS ONE PIT FOR EACH BOLLARD
MULTILED FLASHING LIGHT- 8 LED POINT
MULTILED FLASHING LIGHT- 25 LED POINT
FLASHING LIGHT POWER CIRCUIT FOR SEMIAUTOMATIC BOLLARDS (MAX. 4 BOLLARDS)
HEAD WITHOUT LOGO FOR PILOMAT 275/PL 800SA
PAINTING WITH RAL COLOUR ON REQUEST
STANDARD LOCK AND SECURITY LOCK - 2 KEYS
LOCK FOR TRIANGULAR KEY 11mm - 2 KEYS
LOCK FOR TRIANGULAR KEY 9mm - WITHOUT KEYS
LOCK FOR TRIANGULAR KEY 16mm - WITHOUT KEYS
LOCK FOR TRIANGULAR KEY 19mm - WITHOUT KEYS
KIT 5 TRIANGULAR KEYS 11mm FOR SEMIAUTOMATIC BOLLARDS
KIT 5 STANDARD KEYS FOR SEMIAUTOMATIC BOLLARDS



275/PL 800SA



MOVING CYLINDER	AISI 304 STAINLESS STEEL
MOVING CYLINDER DIAMETER	275mm
MOVING CYLINDER HEIGHT	800mm
MOVING CYLINDER STAINLESS STEEL THICKNESS	6mm
MOVING CYLINDER STAINLESS STEEL FINISH	ANTI-CORROSION TREATMENT - GREY ANTHRACITE STANDARD PAINTING OR BRUSHED
REFLECTING ADHESIVE STRIP	YES - HEIGHT 55mm
RISING SPEED	20cm/s
SENKGESCHWINDIGKEIT/LOWERING SPEED	MANUAL
CONNECTION LINE TO CONTROL UNIT	STANDARD 10m (MAX. LENGTH 80m)
PROTECTION CLASS	IP67
IMPACT RESISTANCE (WITHOUT DEFORMATION)	40.000 J
BREAKOUT RESISTANCE	250.000 J
OPERATING TEMPERATURE	-40 °C +60 °C



100% MADE IN ITALY

PILOMAT s.r.l.
 www.pilomat.com / pilomat@pilomat.com
 Via Zanica 17/p, 24050, Grassobbio (BG) Italy
 Tel. +39.035.29.72.20
 Copyright 2016© Pilomat S.r.l. All rights reserved

275/PL800SA_DATASHEET.16 REVIEW 16/11/2016