

RB500

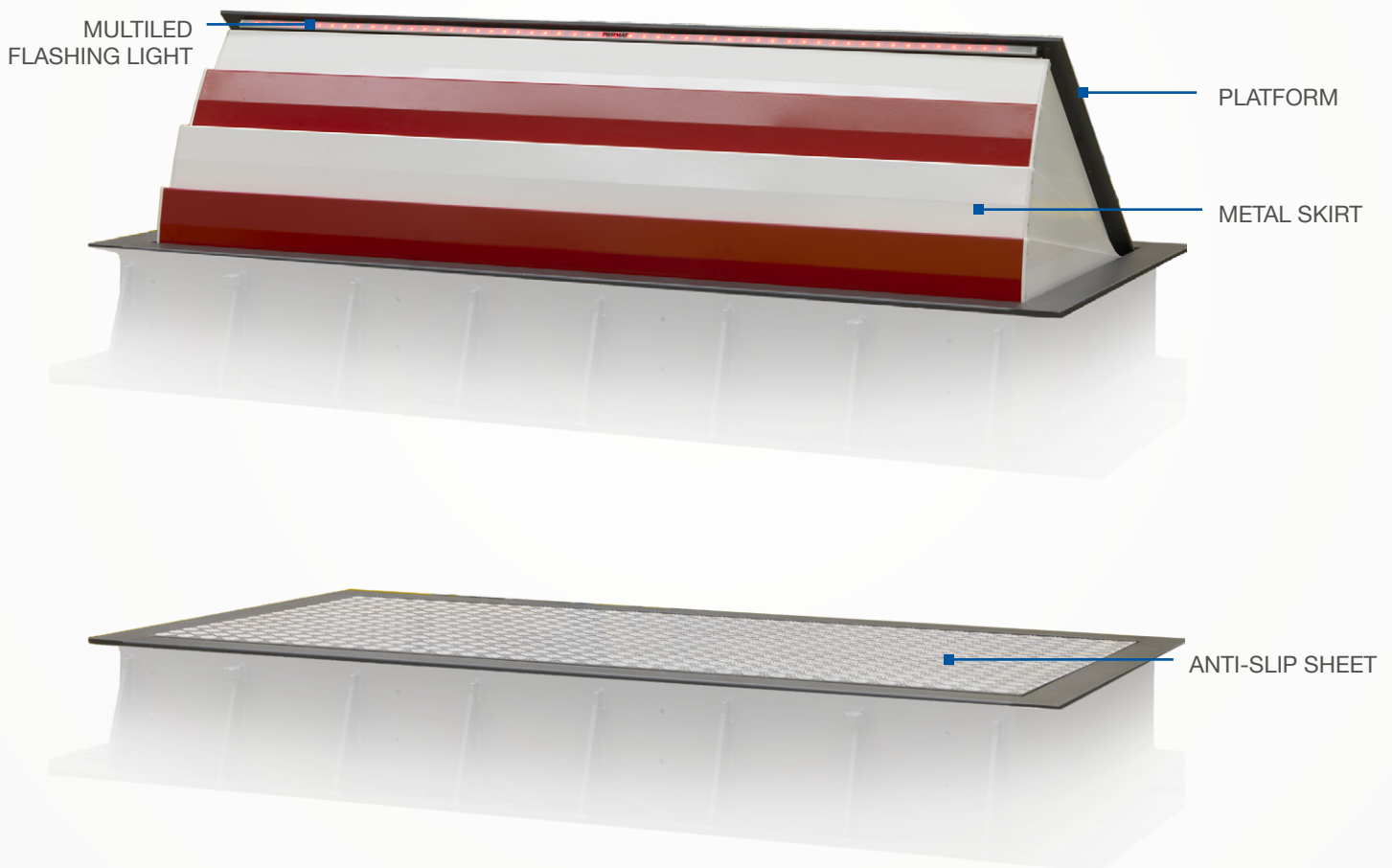


ROAD BLOCKER

PILOMAT ROAD BLOCKERS are built “shallow mounted” for limiting the depth of the basement compartment underground and to avoid the main problems of laying in presence of public services (cables ducts, drainage systems, and similar); moreover it is possible to install the road blocker “on ground level” by using a slope. Current models are the result of our 40 years’experience in the security field and in excess of 20 years in the specific design and manufacture of bollards.

GENERAL FEATURES

RB500 is the basic version, not certified, typically used for perimeter protection of companies, hotels, convention centers and similar. The 500 series requires the installation of a basement compartment of about 300mm. It rises from the ground 500mm and the lengths available are : 2m, 3m, 4m, 5m and 6m (greater lengths are available on request).



AVAILABLE ITEMS

MULTILED FLASHING LIGHT- 30 LED POINTS/m

METAL SKIRT FOR CLOSING FRONT AND SIDE OF RB500 (WHITE/RED)

EMBOSSED SHEET IN AISI 304 STAINLESS STEEL
(IN ALTERNATIVE TO STANDARD ALUMINIUM SHEET)

E.F.O. CIRCUIT FOR EMERGENCY RISING (ABOUT 1.5s)

DEVICE FOR MANUAL HANDLING IF POWER FAILED

FLOOR BASEMENT FOR CONTROL UNIT CASING
(THE BASEMENT IS ESSENTIAL IF RB1000 IS EQUIPPED WITH DEVICE FOR MANUAL HANDLING)

ADDITIONAL CONNECTION LINE RB500 - CONTROL UNIT (MAX. 30m)

SOLENOID VALVE FOR AUTOMATIC LOWERING IF POWER FAILED

FEEDER/ACCUMULATOR GROUP ON CONTROL PANEL FOR EMERGENCY LOWERING

HEATING RESISTANCE

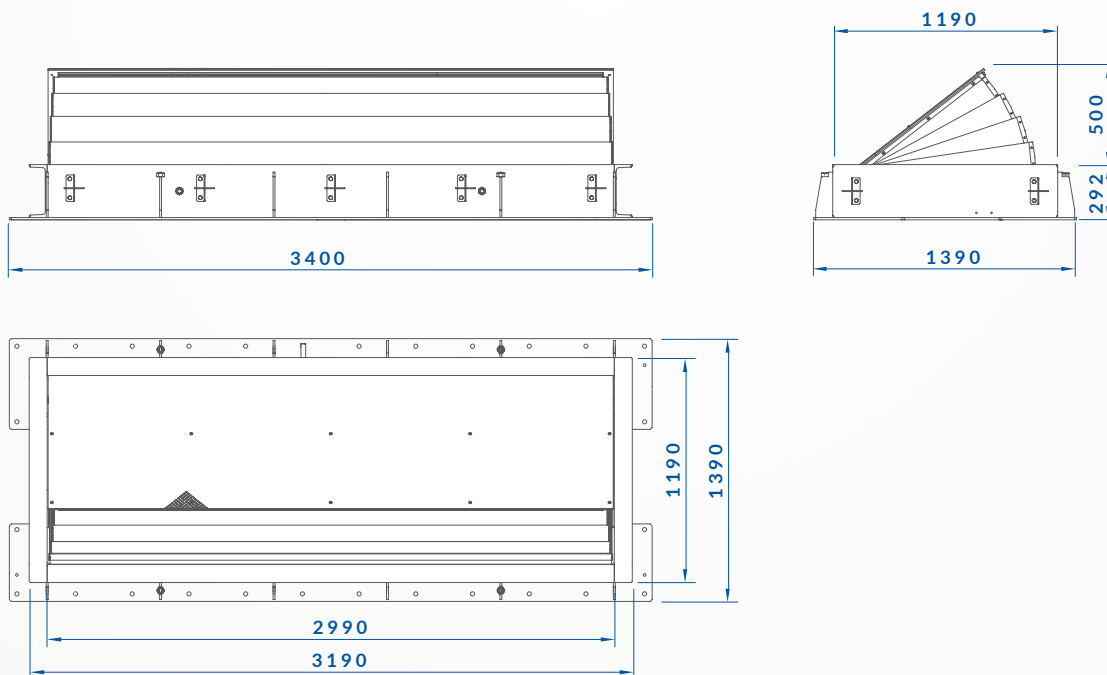
RADIO RECEIVER

RADIO TRANSMITTER TWO-CHANNEL

TRAFFIC LIGHT WITH TWO LIGHT (GREEN-RED)

INDUCTIVE DETECTOR FOR LOOPS

INDUCTIVE LOOPS

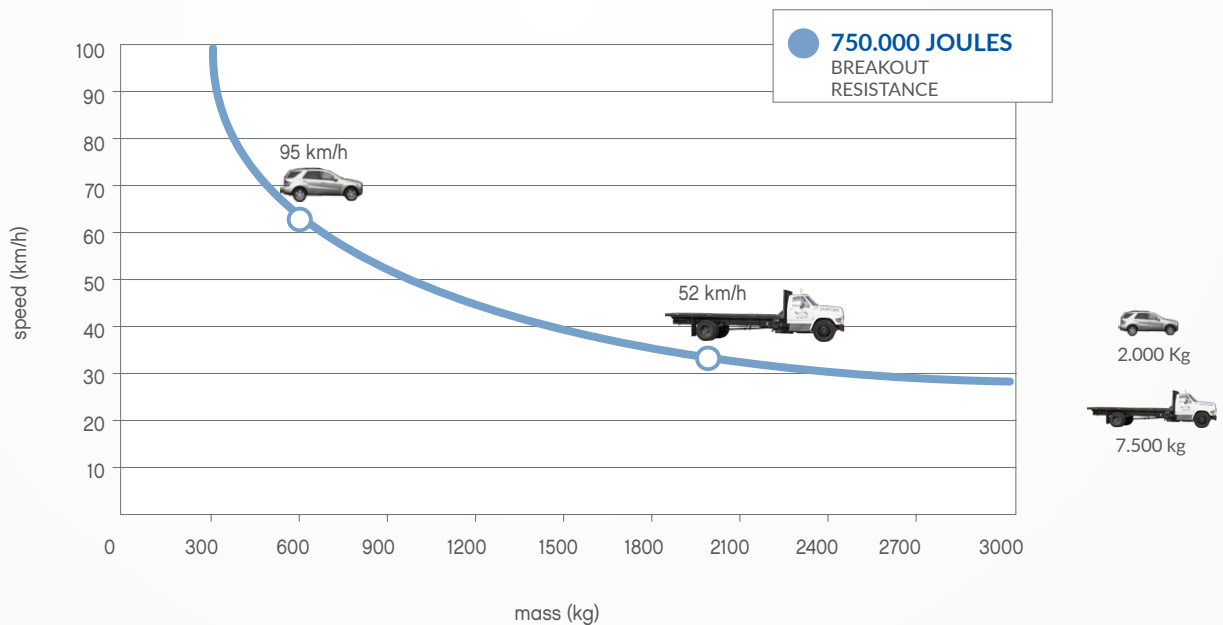


ABOVE DIMENSIONS REFER TO RB500 - LENGTH 3m

RB500



PLATFORM HEIGHT	500mm
PLATFORM LENGTH	STANDARD: 2m-3m-4m-5m-6m
PLATFORM DEPTH	300mm
MOVEMENT	HYDRAULIC
RISING SPEED	5s
LOWERING SPEED	3s
MANUAL EMERGENCY LOWERING	YES
PLATFORM FINISH	ANTISLIP ALUMINIUM SHEET - OPTIONAL: ANTISLIP STAINLESS STEEL SHEET
LOAD CLASS	UNI D400
VOLTAGE FOR CONTROL UNIT	230/400 Vac 50/60Hz
HYDRAULIC PUMP	BUILT-IN THE CONTROL UNIT
PROTECTION CLASS	IP67
TYPE OF USE	INTENSIVE - LIFE AVERAGE 3.000.000 MOVEMENTS - 2.000 MOVEMENTS/DAY
REFLECTING ADHESIVE STRIP	YES - HEIGHT 55mm
BREAKOUT RESISTANCE	750.000 J
NOMINAL OPERATING TEMPERATURE	-40 °C +70 °C (FOR TEMPERATURES LOWER THAN -10 °C USE THE HEATING RESISTANCE)
CONNECTION LINE TO CONTROL UNIT	STANDARD 10m (MAX. LENGTH 30m)



100% MADE IN ITALY

PILOMAT s.r.l.
www.pilomat.com / pilomat@pilomat.com
 Via Zanica 17/p, 24050, Grassobbio (BG) Italy
 Tel. +39.035.29.72.20
 Copyright 2016© Pilomat S.r.l. All rights reserved