

# 275/PL 600A



## HYDRAULIC BOLLARDS WITH PUMP IN THE CONTROL UNIT

PILOMAT 275/PL 600A automatic bollards are the products with the best quality/price ratio of the hydraulic PILOMAT range. Current models are the result of our 40 years' experience in the security field and in excess of 20 years in the specific design and manufacture of automatic bollards.

The 275/PL 600A bollard is recommended for use in any pedestrian areas, private parkings, business parkings, private driveways, business driveways, commercial driveways.

The 275/PL 600A is available with a large number of optional accessories that allow you to customize your system according to your security needs.



PAG.1/3

**PILOMAT**

100% MADE IN ITALY



PILOMAT s.r.l.  
www.pilomat.com / pilomat@pilomat.com  
Via Zanica 17/p, 24050, Grassobbio (BG) Italy  
Tel. +39.035.29.72.20  
Copyright 2016© Pilomat S.r.l. All rights reserved

275/PL 600A\_DATASHEET.16 REVIEW 16/11/2016

## AVAILABLE ITEMS

PILOMAT BOLLARD 275/PL 600AFEV - NORMAL STEEL PAINTED

PIT IN ALUZINC FOR PILOMAT 275/PL 600A - COUNTERFRAME AND BRACKETS  
ONE PIT FOR EACH BOLLARD

CONTROL UNIT FOR PILOMAT 275/PL 600A

MULTILED FLASHING LIGHT- 8 LED POINTS

BUZZER ACOUSTIC SIGNAL FOR AUTOMATIC BOLLARD

REFLECTING ADHESIVE STRIP - WHITE (NO-LOGO)

HEAD WITHOUT LOGO FOR PILOMAT 275/PL 600A

PAINTING WITH RAL COLOUR ON REQUEST

**BIODEGRADABLE OIL FOR HYDRAULIC PUMP**

HEATING RESISTANCE FOR PILOMAT BOLLARDS - TRANSFORMER AND THERMOSTAT  
ONE RESISTANCE FOR EACH BOLLARD

RADIO RECEIVER

RADIO TRANSMITTER TWO-CHANNEL

TRAFFIC LIGHT WITH TWO LIGHTS (GREEN-RED)

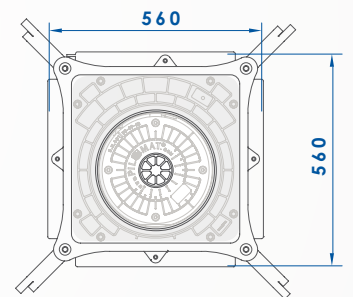
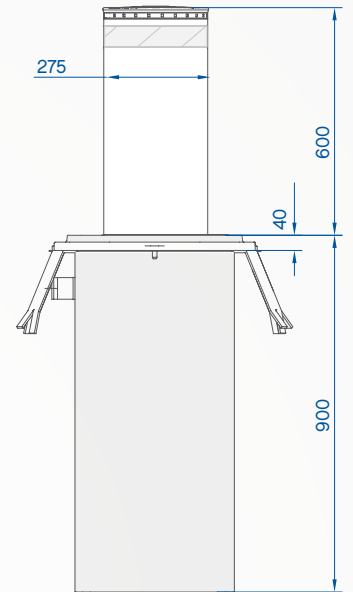
INDUCTIVE DETECTOR FOR LOOPS

**INDUCTIVE LOOPS**

TIMER PROGRAMMER

**INDUCTIVE CARD READER**

LOCK SELECTOR



**PILOMAT**

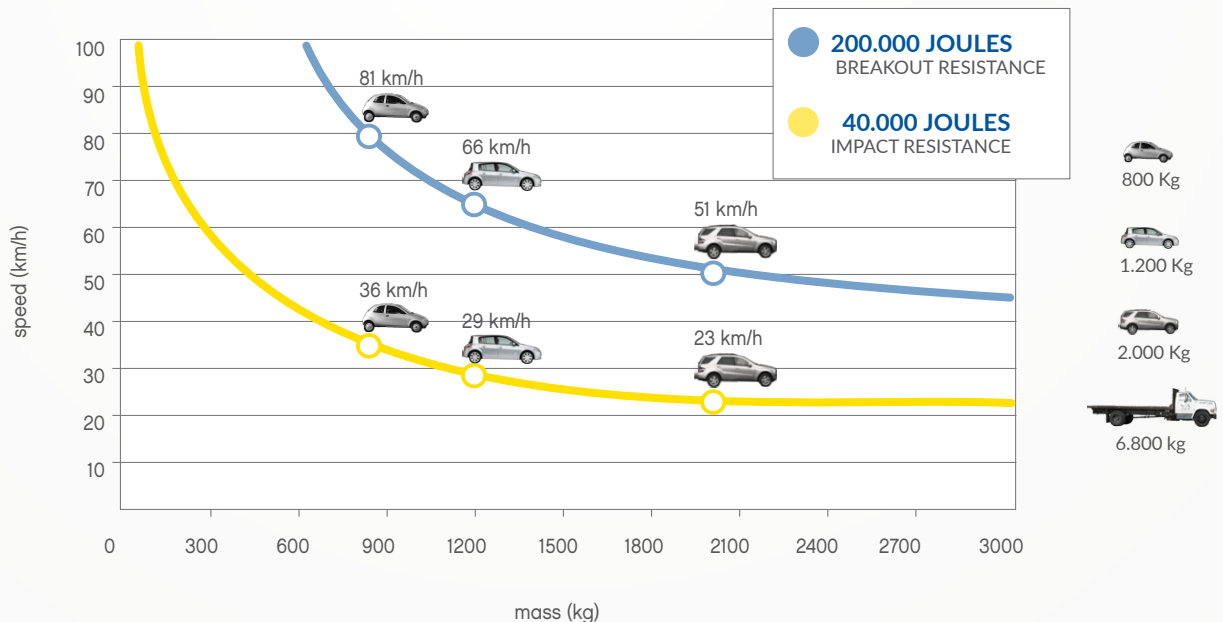
100% MADE IN ITALY



# 275/PL 600A



MOVING CYLINDER	NORMAL STEEL FE370
MOVING CYLINDER DIAMETER	275mm
MOVING CYLINDER HEIGHT	600mm
MOVING CYLINDER NORMAL STEEL THICKNESS	5mm
MOVING CYLINDER NORMAL STEEL FINISH	ANTI-CORROSION TREATMENT - STANDARD PAINTING GREY ANTHRACITE
REFLECTING ADHESIVE STRIP	YES - HEIGHT 55mm
RISING SPEED	12cm/s
LOWERING SPEED	25cm/s
MANUAL EMERGENCY LOWERING	YES (ALSO FOR VERSION WITH AUTOMATIC LOWERING IF POWER FAILED)
SAFETY REVERSAL PRESSURE SWITCH	YES
CONNECTION LINE TO CONTROL UNIT	STANDARD 10m (MAX. LENGTH 20m)
VOLTAGE FOR CONTROL UNIT	230/400 Vac 50/60Hz
HYDRAULIC PUMP	IN THE CONTROL UNIT
PROTECTION CLASS	IP67
TYPE OF USE	INTENSIVE - LIFE AVERAGE 3.000.000 MOVEMENTS - 2000 MOVEMENTS/DAY
IMPACT RESISTANCE (WITHOUT DEFORMATION)	40.000 J
BREAKOUT RESISTANCE	200.000 J
OPERATING TEMPERATURE	-40 °C +70 °C (FOR TEMPERATURES LOWER THAN -10 °C USE THE HEATING RESISTANCE)



100% MADE IN ITALY

PILOMAT s.r.l.  
 www.pilomat.com / pilomat@pilomat.com  
 Via Zanica 17/p, 24050, Grassobbio (BG) Italy  
 Tel. +39.035.29.72.20  
 Copyright 2016© Pilomat S.r.l. All rights reserved