

275/K4 700A



AUTOMATIC HYDRAULIC ANTI-TERRORISM BOLLARD WITH BUILT-IN PUMP

The PILOMAT 275/K4 700A automatic bollards have been designed to ensure the anti-terrorist defence. Current models are the result of our 40 years' experience in the security field and in excess of 20 years in the specific design and manufacture of automatic bollards.

The 275/K4 700A bollard is recommended for use in any security sensitive site like company driveways, industrial driveways, research centres, embassies, police facilities, military bases, etc..

The 275/K4 700A is available with a large number of optional accessories that allow you to customize your system according to your security needs.



PAG.1/3

PILOMAT

100% MADE IN ITALY

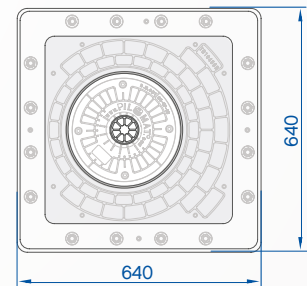
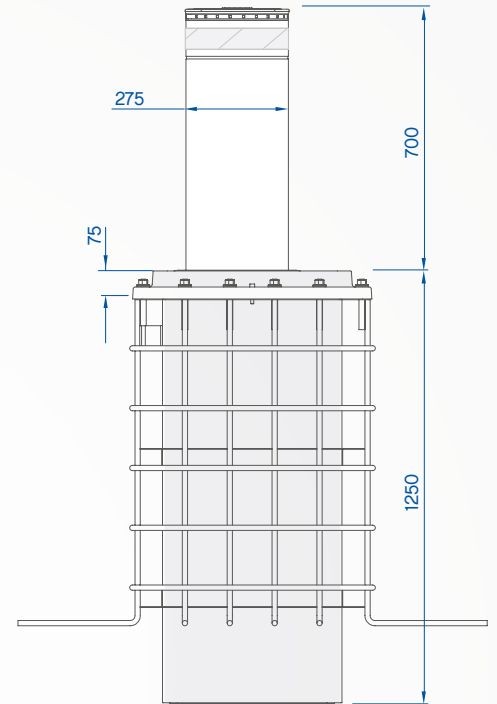
PILOMAT s.r.l.
www.pilomat.com / pilomat@pilomat.com
Via Zanica 17/p, 24050, Grassobbio (BG) Italy
Tel. +39.035.29.72.20
Copyright 2016© Pilomat S.r.l. All rights reserved

275/K4 700A_DATASHEET.17 REVIEW 02/05/2017



AVAILABLE ITEMS

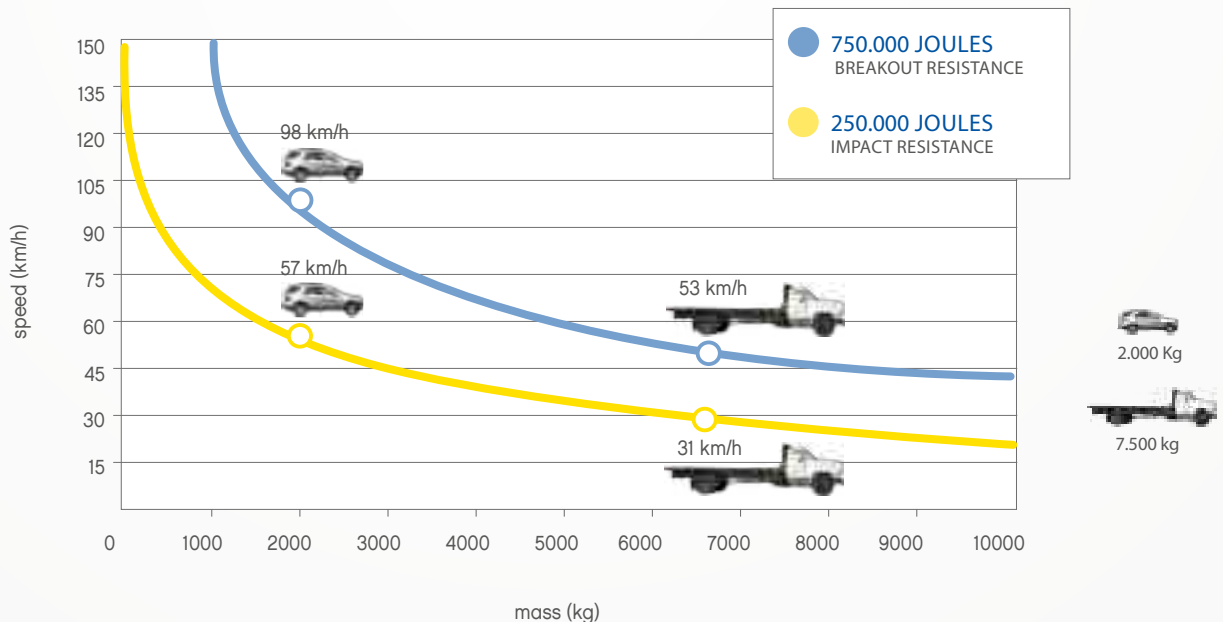
PILOMAT BOLLARD 275/K4 700AFEV - NORMAL STEEL PAINTED
PILOMAT BOLLARD 275/K4 700AFEVZ - NORMAL STEEL PAINTED WITH RIBS
PILOMAT BOLLARD 275/K4 700AIXS - STAINLESS STEEL BRUSHED
PIT IN ALUZINC FOR PILOMAT 275/K4 700A - COUNTERFRAME ONE PIT FOR EACH BOLLARD
REBARS FOR PIT 275/K4 700
CONTROL UNIT FOR PILOMAT 275/K4 700A
MULTILED FLASHING LIGHT- 25 LED POINTS
E.F.O. CIRCUIT FOR EMERGENCY RISING (INFERIOR OR EQUAL TO 2s)
BUZZER ACOUSTIC SIGNAL FOR AUTOMATIC BOLLARD
REFLECTING ADHESIVE STRIP - WHITE (NO-LOGO)
HEAD WITHOUT LOGO FOR PILOMAT 275/K4 700A
PAINTING WITH RAL COLOUR ON REQUEST
COVERING IN AISI 316 STAINLESS STEEL FOR MOVING CYLINDER
BIODEGRADABLE OIL FOR HYDRAULIC PUMP
HEATING RESISTANCE FOR PILOMAT BOLLARDS - TRANSFORMER AND THERMOSTAT ONE RESISTANCE FOR EACH BOLLARD
RADIO RECEIVER
RADIO TRANSMITTER TWO-CHANNEL
TRAFFIC LIGHT WITH TWO LIGHTS (GREEN-RED)
INDUCTIVE DETECTOR FOR LOOPS
INDUCTIVE LOOPS
TIMER PROGRAMMER
INDUCTIVE CARD READER
LOCK SELECTOR



275/K4 700A



MOVING CYLINDER MATERIAL	FE 510 NORMAL STEEL
MOVING CYLINDER DIAMETER	275mm
MOVING CYLINDER HEIGHT	700mm
MOVING CYLINDER THICKNESS	10mm
MOVING CYLINDER NORMAL STEEL FINISH	ANTI-CORROSION TREATMENT - STANDARD PAINTING GREY ANTHRACITE
OTHER MOVING CYLINDER FINISH	RIBS ON CYLINDER SURFACE - AISI 304 STAINLESS STEEL BRUSHED COVERING 1,2mm
REFLECTING ADHESIVE STRIP	YES - HEIGHT 55mm
RISING SPEED	10cm/s
LOWERING SPEED	25cm/s
MANUAL EMERGENCY LOWERING	YES
CONNECTION LINE TO CONTROL UNIT	STANDARD 10m (MAX. LENGTH 80m - WITH HEATING RESISTANCE MAX. 50m)
VOLTAGE FOR CONTROL UNIT	230/400 Vac 50/60Hz
HYDRAULIC PUMP	BUILT-IN INTO THE BOLLARD
PROTECTION CLASS	IP67
TYPE OF USE	INTENSIVE - LIFE AVERAGE 3.000.000 MOVEMENTS - 2000 MOVEMENTS/DAY
IMPACT RESISTANCE (WITHOUT DEFORMATION)	250.000 J
BREAKOUT RESISTANCE	750.000 J
OPERATING TEMPERATURE	-40 °C +70 °C (FOR TEMPERATURES LOWER THAN -10 °C USE THE HEATING RESISTANCE)



100% MADE IN ITALY

PILOMAT s.r.l.
 www.pilomat.com / pilomat@pilomat.com
 Via Zanica 17/p, 24050, Grassobbio (BG) Italy
 Tel. +39.035.29.72.20
 Copyright 2016© Pilomat S.r.l. All rights reserved