

275/K4FB 900F



ANTI-TERRORISM FIXED BOLLARDS WITH BASEMENT

The fixed 275/K4FB 900F PILOMAT have been designed and built with architectural appearance similar to that of the retractable PILOMAT and therefore also allows the combined use of both versions.

Current models are the result of our 40 years' experience in the security field and in excess of 20 years in the specific design and manufacture of bollards.

GENERAL FEATURES

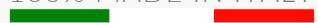
The fixed antiterrorism PILOMAT are used to separate and prevent vehicles from breaching the perimeter of the following areas: Research Centres Embassies, Police Headquarters, Military Bases, Ministerial Buildings Sites in Sensitive Areas. These items are designed to ensure antiterrorism defence, and must be cemented into the ground at a depth that meets the standards of breakout resistance.



PAG.1/3

PILOMAT

100% MADE IN ITALY



PILOMAT s.r.l.
www.pilomat.com / pilomat@pilomat.com
Via Zanica 17/p, 24050, Grassobbio (BG) Italy
Tel. +39.035.29.72.20
Copyright 2016© Pilomat S.r.l. All rights reserved

275/K4FB 900F_DATASHEET.18 REVIEW 19/09/2018

275/K4FB 900F



AVAILABLE ITEMS

PILOMAT BOLLARD 275/K4FB 900FFEV - NORMAL STEEL PAINTED

PILOMAT BOLLARD 275/K4FB 900FIXV - STAINLESS STEEL PAINTED

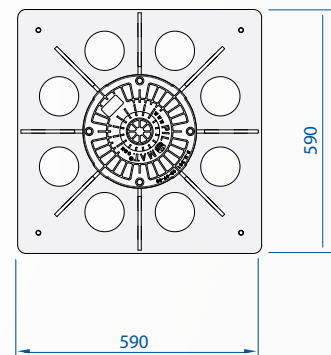
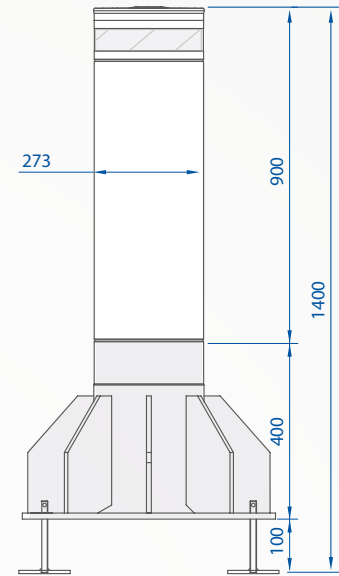
PILOMAT BOLLARD 275/K4FB 900FIXS - STAINLESS STEEL BRUSHED

RIBS ON FIXED CYLINDER - NORMAL STEEL

HEAD WITHOUT LOGO FOR PILOMAT 275/K4FB 900F

REFLECTING ADHESIVE STRIP - WHITE (NO-LOGO)

MULTILED FLASHING LIGHT - 25 LED POINTS



PILOMAT

100% MADE IN ITALY



PAG.2/3

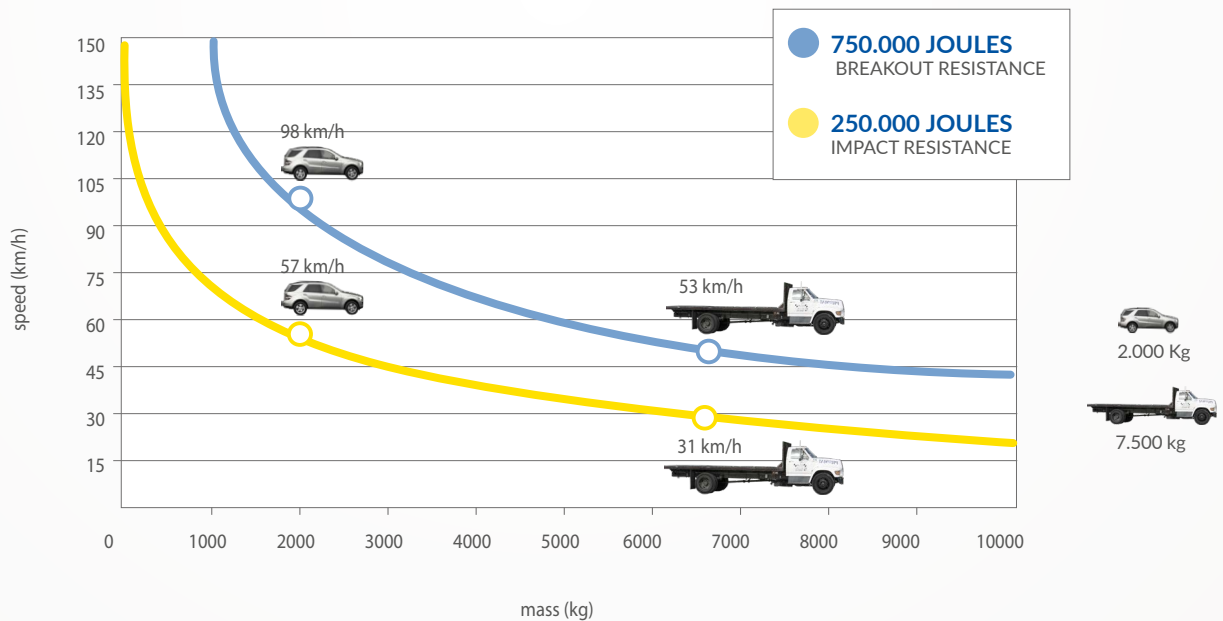
PILOMAT s.r.l.
www.pilomat.com / pilomat@pilomat.com
Via Zanica 17/p, 24050, Grassobbio (BG) Italy
Tel. +39.035.29.72.20
Copyright 2016© Pilomat S.r.l. All rights reserved

275/K4FB 900F_DATASHEET.18 REVIEW 19/09/2018

275/K4FB 900F



MATERIAL FIXED CYLINDER	FE510 NORMAL STEEL - AISI 304 STAINLESS STEEL - AISI 316 STAINLESS STEEL
FIXED CYLINDER DIAMETER	273mm
FIXED CYLINDER HEIGHT	900mm
FIXED CYLINDER THICKNESS	10mm
FIXED CYLINDER NORMAL STEEL FINISH	ANTI-CORROSION TREATMENT - STANDARD PAINTING GREY ANTHRACITE
FIXED CYLINDER STAINLESS STEEL FINISH	STANDARD PAINTING GREY ANTHRACITE OR BRUSHING
OTHER CYLINDER FINISH	RIBS ON CYLINDER
REFLECTING ADHESIVE STRIP	YES - HEIGHT 55mm
PROTECTION CLASS	IP67
IMPACT RESISTANCE (WITHOUT DEFORMATION)	250.000 J
BREAKOUT RESISTANCE	750.000 J



100% MADE IN ITALY

PILOMAT s.r.l.
 www.pilomat.com / pilomat@pilomat.com
 Via Zanica 17/p, 24050, Grassobbio (BG) Italy
 Tel. +39.035.29.72.20
 Copyright 2016© Pilomat S.r.l. All rights reserved