

## ROAD BLOCKER

PILOMAT ROAD BLOCKERS are built at “low outline” for limiting the depth of the basement compartment underground and to avoid the main problems of laying in presence of public services (cables ducts, drainage systems, and similar); moreover it is possible to install the road blocker “on ground level” by using a slope. Current models are the result of our 40 years’ experience in the security field and in excess of 20 years in the specific design and manufacture of bollards.

### GENERAL FEATURES

RB1000 is the high security certified version (PAS68:2013 Certification concerning a Crash test with a 7500 kg truck travelling at 80 km/h), typically used for the anti-terrorism protection at the highest levels. The 1000 series requires the installation of a basement compartment of about 400 mm; it rises from the ground 1000 mm and the widths available are: 2m, 3m, 4m, 5m and 6m.

### CERTIFIED PAS68:2013 road blocker V/7500(N3)/80 (K12)



**PILOMAT**

100% MADE IN ITALY

PAG.1/3

PILOMAT s.r.l.  
www.pilomat.com / pilomat@pilomat.com  
Via Zanica 17/p, 24050, Grassobbio (BG) Italy  
Tel. +39.035.29.72.20  
Copyright 2019© Pilomat S.r.l. All rights reserved

RB1000\_DATASHEET.19 REVIEW 11/02/2019

## AVAILABLE ITEMS

MULTILED FLASHING LIGHT- 30 LED POINTS/m

METAL SKIRT FOR CLOSING FRONT AND SIDE OF RB1000 (WHITE/RED)

COVERPLATE IN S235JR NORMAL STEEL WITH ANTISLIP PAINTING  
(OPTIONAL: COVERPLATE IN STAINLESS STEEL WITH ANTISLIP PAINTING)

E.F.O. CIRCUIT FOR EMERGENCY RISING (ABOUT 2s)

DEVICE FOR MANUAL HANDLING

FLOOR BASEMENT FOR CONTROL UNIT HOUSING  
(THE BASEMENT IS ESSENTIAL IF RB1000 IS EQUIPPED WITH DEVICE FOR MANUAL HANDLING)

ADDITIONAL CONNECTION LINE RB1000 - CONTROL UNIT (MAX. 30m)

FEEDER/ACCUMULATOR GROUP ON CONTROL PANEL FOR EMERGENCY LOWERING

HEATING RESISTANCE

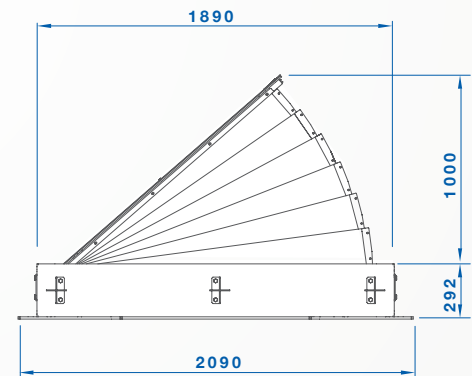
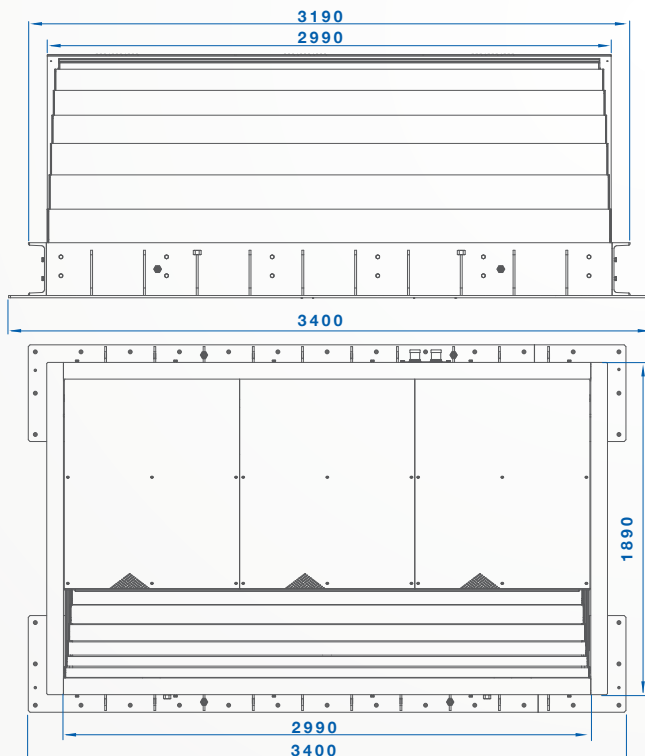
RADIO RECEIVER

RADIO TRANSMITTER TWO-CHANNEL

TRAFFIC LIGHT WITH TWO LIGHT (GREEN-RED)

INDUCTIVE DETECTOR FOR LOOPS

INDUCTIVE LOOPS



ABOVE DIMENSIONS REFER TO RB1000 - LENGTH 3m

PAG.2/3

**PILOMAT**

100% MADE IN ITALY

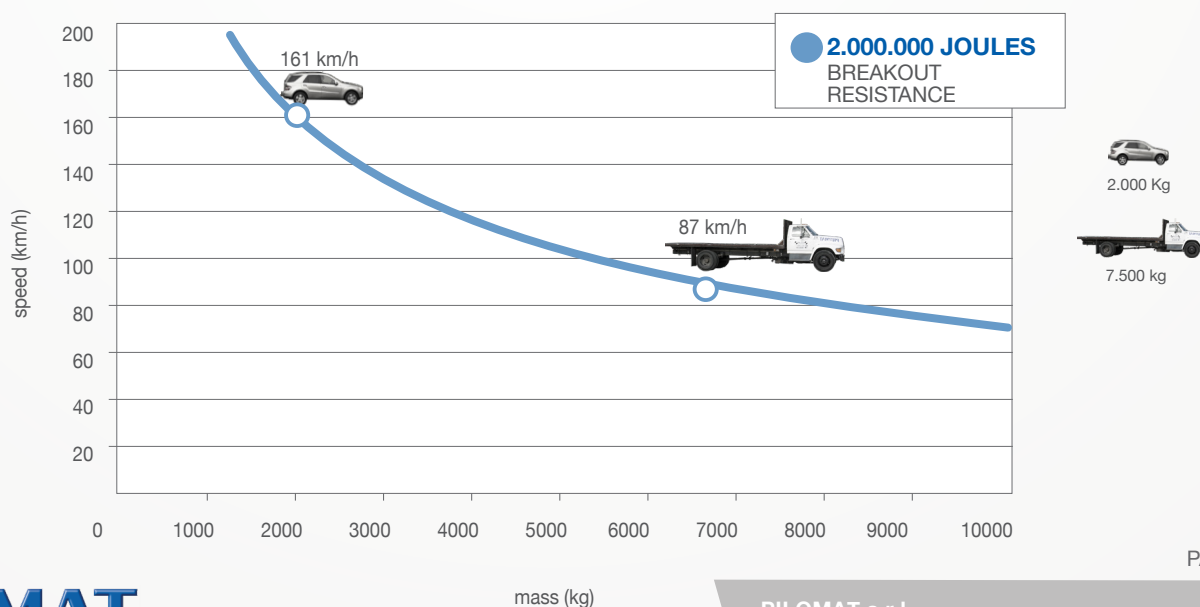
PILOMAT s.r.l.  
www.pilomat.com / pilomat@pilomat.com  
Via Zanica 17/p, 24050, Grassobbio (BG) Italy  
Tel. +39.035.29.72.20  
Copyright 2019© Pilomat S.r.l. All rights reserved

RB1000\_DATASHEET.19 REVIEW 11/02/2019

# RB1000



ROAD BLOCKER HEIGHT FROM GROUND LEVEL	1000mm
ROAD BLOCKER WIDTH (MOVING PLATFORM)	2m - 3m - 4m - 5m - 6m
ROAD BLOCKER DEPTH	300mm
MOVEMENT PRINCIPLE	HYDRAULIC
RISING SPEED	7sec
LOWERING SPEED	7sec
ROAD BLOCKER FINISH	ANTI-CORROSION TREATMENT - GREY ANTHRACITE STANDARD PAINTING
MOVING PLATFORM FINISH	COVERPLATE IN S235JR NORMAL STEEL WITH ANTISLIP PAINTING
CLASS OF LOAD	REGULATION U.N.I D400
TYPE OF USE	INTENSIVE - 2.000 CYCLES/DAY
LIFE UNITS - MCBF	3.000.000 CYCLES
METAL SKIRT TO CLOSE FRONT AND SIDE OF ROAD BLOCKER	STANDARD - COLOR: WHITE/RED OPTIONAL: RAL COLOR ON REQUEST
E.F.O. CIRCUIT FOR EMERGENCY RISING	OPTIONAL - RISING SPEED APPROX. 2sec
VOLTAGE FOR CONTROL UNIT	230VAC (+/- 10%) - 50/60Hz
PROTECTION CLASS	IP67
REFLECTING ADHESIVE STRIP	STANDARD - HEIGHT 55mm
BREAKOUT RESISTANCE	2.000.000 J
DEVICE FOR MANUAL HANDLING	OPTIONAL
MULTILED FLASHING LIGHT 30 LED POINTS/m	OPTIONAL
CONNECTION LINE TO CONTROL UNIT	STANDARD: 10m (MAX. 30m)
NOMINAL OPERATING TEMPERATURE	-40 °C +70 °C (FOR LOW TEMPERATURES SEE THE HEATING RESISTANCE)



PAG.3/3



100% MADE IN ITALY

mass (kg)

PILOMAT s.r.l.  
[www.pilomat.com](http://www.pilomat.com) / [pilomat@pilomat.com](mailto:pilomat@pilomat.com)  
 Via Zanica 17/p, 24050, Grassobbio (BG) Italy  
 Tel. +39.035.29.72.20  
 Copyright 2019© Pilomat S.r.l. All rights reserved

RB1000\_DATASHEET.19 REVIEW 11/02/2019

Information in this document is for reference only. In pursuit of its policy of continuous refinement and improvement, Pilomat reserves the right to amend this information at any time and without prior notice.  
 Picture shown is for illustration purpose only.