

RB500

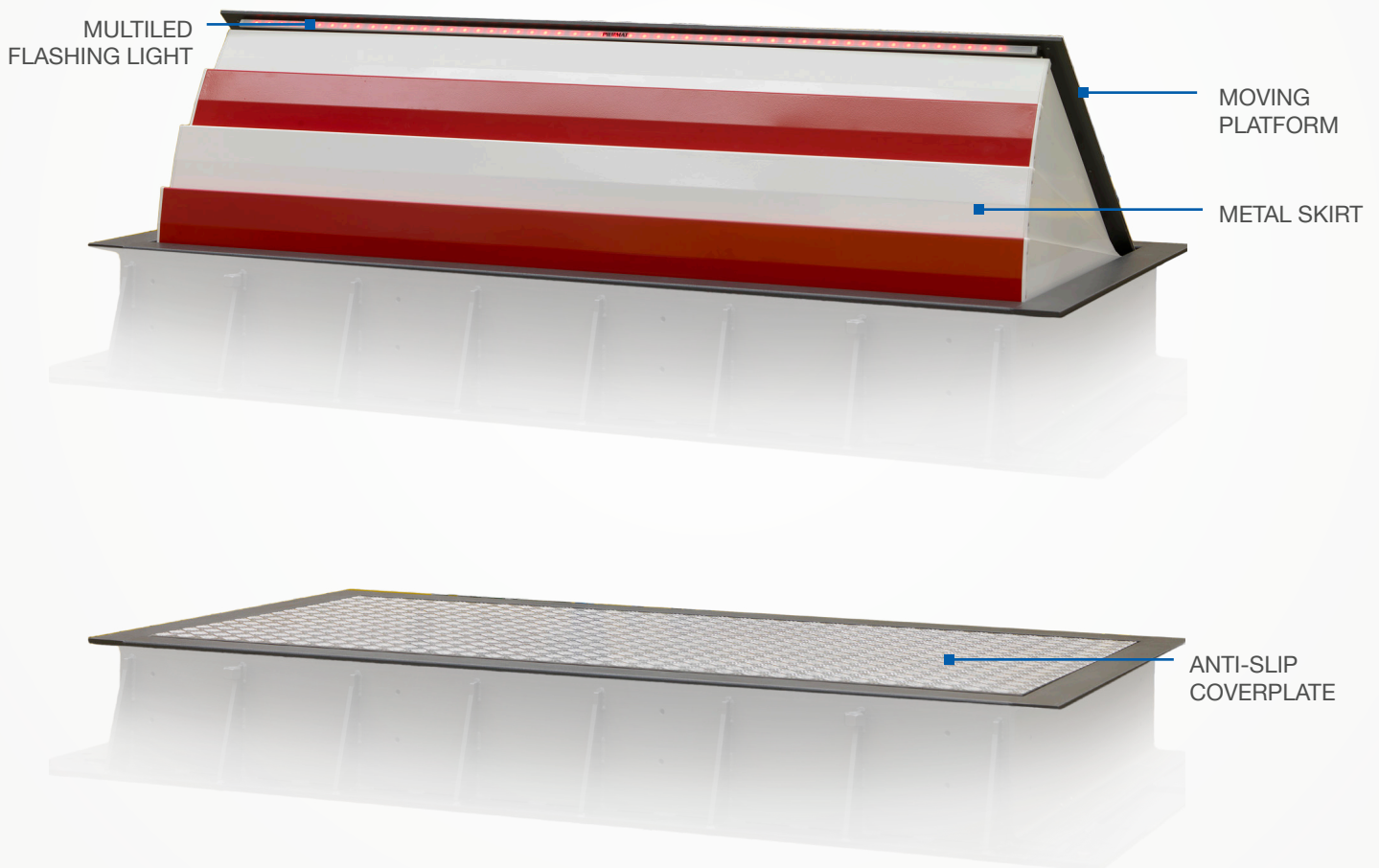


ROAD BLOCKER

PILOMAT ROAD BLOCKERS are built “shallow mounted” for limiting the depth of the basement compartment and to avoid the main problems of laying in presence of public services (cables ducts, drainage systems, and similar); moreover it is possible to install the road blocker “on ground level” by using a slope. Current models are the result of our 40 years’ experience in the security field and in excess of 20 years in the specific design and manufacture of bollards.

GENERAL FEATURES

RB500 is the basic version, not certified, typically used for perimeter protection of companies, hotels, convention centers and similar. The 500 series requires the installation of a basement compartment of about 300mm. It rises from the ground 500mm and the widths available are : 2m, 3m, 4m, 5m and 6m.



AVAILABLE ITEMS

MULTILED FLASHING LIGHT- 30 LED POINTS/m

METAL SKIRT FOR CLOSING FRONT AND SIDE OF RB500 (WHITE/RED)

COVERPLATE IN S235JR NORMAL STEEL WITH ANTISLIP PAINTING
(OPTIONAL: COVERPLATE IN STAINLESS STEEL WITH ANTISLIP PAINTING)

E.F.O. CIRCUIT FOR EMERGENCY RISING (ABOUT 2s)

DEVICE FOR MANUAL HANDLING

FLOOR BASEMENT FOR CONTROL UNIT HOUSING
(THE BASEMENT IS ESSENTIAL IF RB1000 IS EQUIPPED WITH DEVICE FOR MANUAL HANDLING)

ADDITIONAL CONNECTION LINE RB500 - CONTROL UNIT (MAX. 30m)

FEEDER/ACCUMULATOR GROUP ON CONTROL PANEL FOR EMERGENCY LOWERING

HEATING RESISTANCE

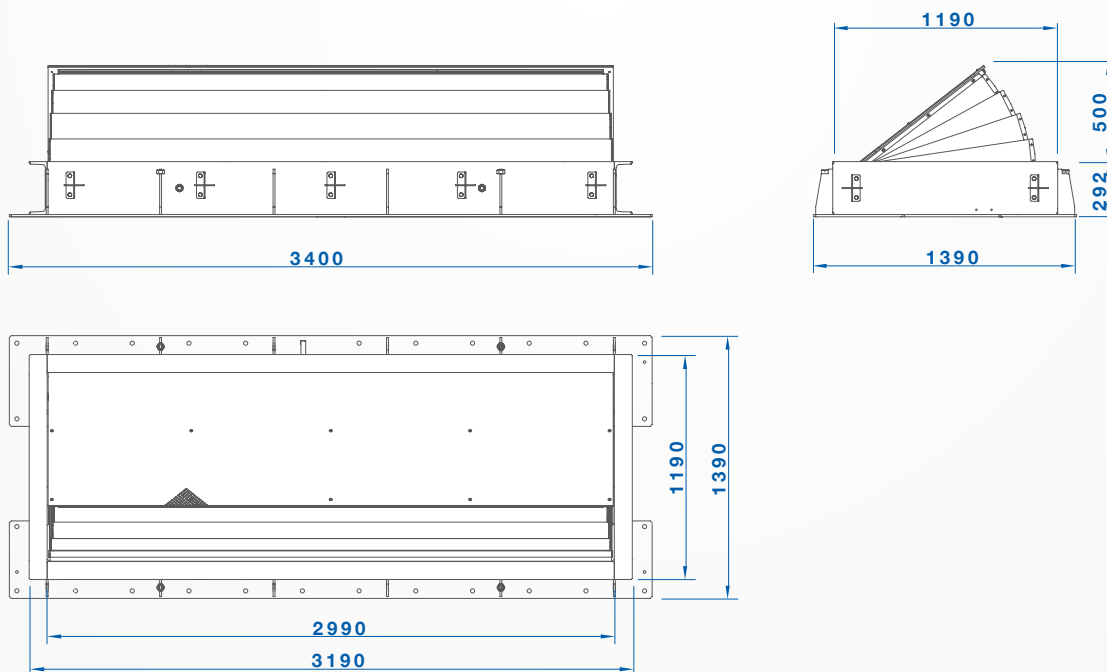
RADIO RECEIVER

RADIO TRANSMITTER TWO-CHANNEL

TRAFFIC LIGHT WITH TWO LIGHT (GREEN-RED)

INDUCTIVE DETECTOR FOR LOOPS

INDUCTIVE LOOPS

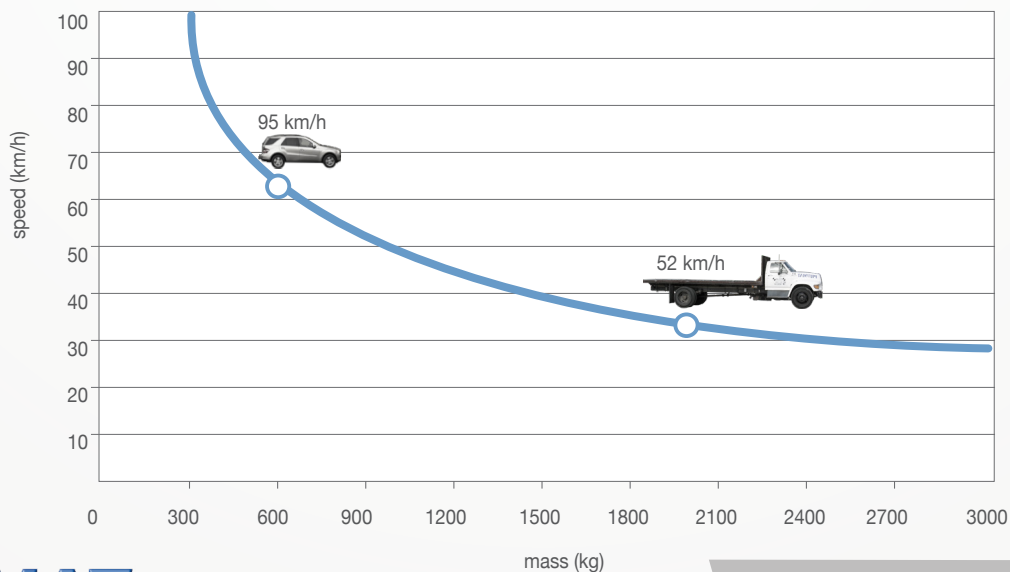


ABOVE DIMENSIONS REFER TO RB500 - LENGTH 3m

RB500



ROAD BLOCKER HEIGHT FROM GROUND LEVEL	500mm
ROAD BLOCKER WIDTH (MOVING PLATFORM)	2m - 3m - 4m - 5m - 6m
ROAD BLOCKER DEPTH	300mm
MOVEMENT PRINCIPLE	HYDRAULIC
RISING SPEED	5sec
LOWERING SPEED	5sec
ROAD BLOCKER FINISH	ANTI-CORROSION TREATMENT GREY ANTHRACITE STANDARD PAINTING
MOVING PLATFORM FINISH	COVERPLATE IN S235JR NORMAL STEEL WITH ANTISLIP PAINTING
CLASS OF LOAD	REGULATION U.N.I. D400
TYPE OF USE	INTENSIVE - 2.000 CYCLES/DAY
LIFE UNITS - MCBF	3.000.000 CYCLES
METAL SKIRT TO CLOSE FRONT AND SIDE OF ROAD BLOCKER	STANDARD - COLOR: WHITE/RED OPTIONAL: RAL COLOR ON REQUEST
E.F.O. CIRCUIT FOR EMERGENCY RISING	OPTIONAL - RISING SPEED APPROX. 2sec
VOLTAGE FOR CONTROL UNIT	230VAC (+/- 10%) - 50/60HZ
PROTECTION CLASS	IP 67
REFLECTING ADHESIVE STRIP	STANDARD - HEIGHT 55mm
BREAKOUT RESISTANCE	750.000 J
DEVICE FOR MANUAL HANDLING	OPTIONAL
MULTILED FLASHING LIGHT 30 LED POINTS/m	OPTIONAL
CONNECTION LINE TO CONTROL UNIT	STANDARD 10m (MAX: 30m)
NOMINAL OPERATING TEMPERATURE	-40 °C +70 °C (FOR LOW TEMPERATURES SEE THE HEATING RESISTANCE)



100% MADE IN ITALY

PILOMAT s.r.l.
www.pilomat.com / pilomat@pilomat.com
 Via Zanica 17/p, 24050, Grassobbio (BG) Italy
 Tel. +39.035.29.72.20
 Copyright 2019© Pilomat S.r.l. All rights reserved

RB500_DATASHEET.19 REVIEW 11/02/2019