

127/P 500SA



SEMI-AUTOMATIC BOLLARDS WITH GAS ACTUATOR

The semiautomatic bollard PILOMAT 127/P 500SA with single gas actuator is designed and built with architectural appearance similar to that of the automatic PILOMAT bollards and therefore also allows the combined use of both versions. Current models are the result of our 40 years' experience in the security field and in excess of 20 years in the specific design and manufacture of bollards.

GENERAL FEATURES

The Semiautomatic PILOMAT are used to define or prevent the stationing or transit of vehicles in pedestrian or private areas. Because of the procedure of parking, it is advised that the semi-automatic PILOMAT be used only if the amount of daily movements is limited.



100% MADE IN ITALY

PAG.1/3

PILOMAT s.r.l.
www.pilomat.com / pilomat@pilomat.com
Via Zanica 17/p, 24050, Grassobbio (BG) Italy
Tel. +39.035.29.72.20
Copyright 2016© Pilomat S.r.l. All rights reserved

127/P 500SA_DATASHEET.19 REVIEW 23/09/2019

AVAILABLE ITEMS

PILOMAT BOLLARD 127/P 500SAFEV - NORMAL STEEL PAINTED

PILOMAT BOLLARD 127/P 500SAIXV - STAINLESS STEEL PAINTED

PILOMAT BOLLARD 127/P 500SAIXS - STAINLESS STEEL BRUSHED

PIT IN ALUZINC FOR PILOMAT 127/P 500SA - COUNTERFRAME AND BRACKETS
ONE PIT FOR EACH BOLLARD

MULTILED FLASHING LIGHT- 1 LED POINT

HEAD WITHOUT LOGO FOR PILOMAT 127/P 500SA

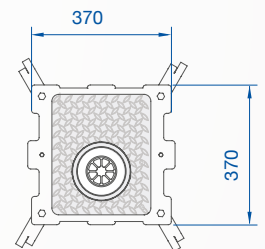
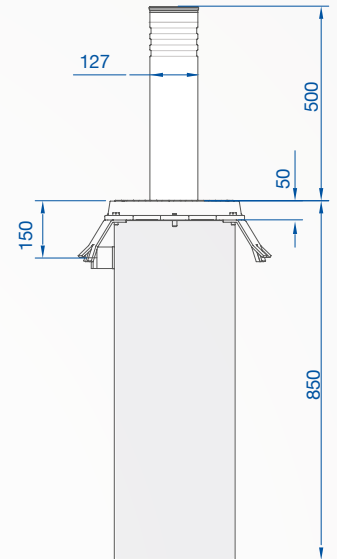
PAINTING WITH RAL COLOUR ON REQUEST

LOCK FOR TRIANGULAR KEY 11mm - 2 KEYS

LOCK FOR TRIANGULAR KEY 9mm - WITHOUT KEYS

KIT 5 TRIANGULAR KEYS 11mm FOR SEMIAUTOMATIC BOLLARDS

KIT 5 STANDARD KEYS FOR SEMIAUTOMATIC BOLLARDS



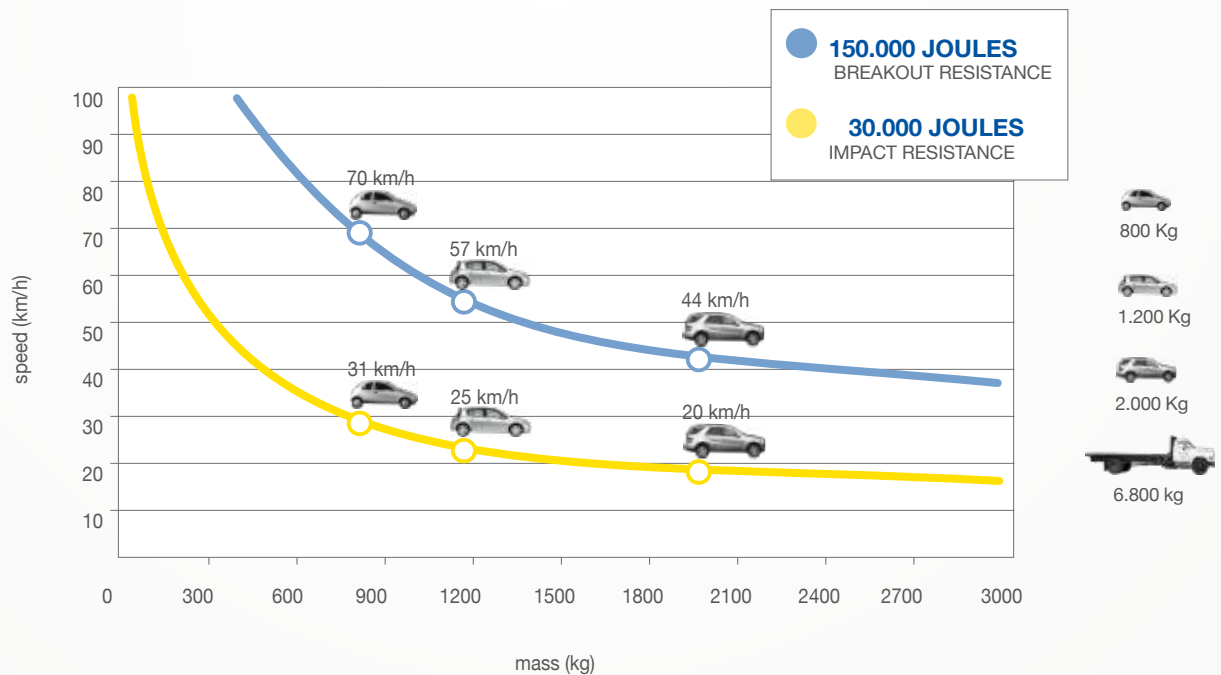
PILOMAT

100% MADE IN ITALY

127/P 500SA



CYLINDER MATERIAL	S235JR NORMAL STEEL - X5CrNi 18-10 (AISI 304) STAINLESS STEEL
CYLINDER DIAMETER	127mm
CYLINDER HEIGHT	500mm
CYLINDER NORMAL STEEL THICKNESS	6mm
CYLINDER STAINLESS STEEL THICKNESS	6mm
CYLINDER NORMAL STEEL FINISH	ANTI-CORROSION TREATMENT - STANDARD PAINTING GREY ANTHRACITE
CYLINDER STAINLESS STEEL FINISH	AS ABOVE OR BRUSHED
REFLECTING ADHESIVE STRIP	YES - HEIGHT 23mm
RISING SPEED	20cm/s
LOWERING SPEED	MANUAL
CONNECTION LINE TO CONTROL UNIT	STANDARD 10m (MAX. LENGTH 80m)
PROTECTION CLASS	IP67
IMPACT RESISTANCE (WITHOUT DEFORMATION)	30.000 J
BREAKOUT RESISTANCE	150.000 J
OPERATING TEMPERATURE	-40 °C +60 °C



100% MADE IN ITALY

PILOMAT s.r.l.
 www.pilomat.com / pilomat@pilomat.com
 Via Zanica 17/p, 24050, Grassobbio (BG) Italy
 Tel. +39.035.29.72.20
 Copyright 2016© Pilomat S.r.l. All rights reserved