

127/P 600A



HYDRAULIC BOLLARD WITH BUILT-IN PUMP

PILOMAT 127/P 600A automatic bollards are the top line products of the PILOMAT range. Current models are the result of our 40 years' experience in the security field and in excess of 20 years in the specific design and manufacture of bollards. The 127/P 600A bollard is recommended for use in any pedestrian areas, private parkings, business parkings, private driveways, business driveways, commercial driveways.

The 127/P 600A bollard is available with a large number of optional accessories that allow you to customize your system according to your security needs.



100% MADE IN ITALY

PAG.1/3

PILOMAT s.r.l.
www.pilomat.com / pilomat@pilomat.com
Via Zanica 17/p, 24050, Grassobbio (BG) Italy
Tel. +39.035.29.72.20
Copyright 2016© Pilomat S.r.l. All rights reserved

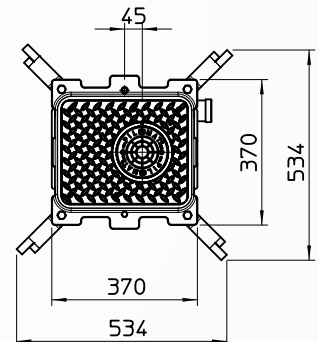
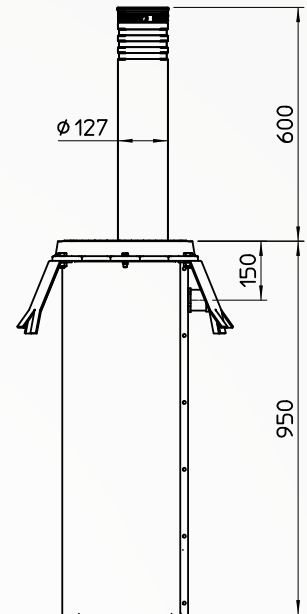
127/P 600A_DATASHEET.19 REVIEW 25/09/2019

127/P 600A



AVAILABLE ITEMS

PILOMAT BOLLARD 127/P 600AFEV - NORMAL STEEL PAINTED
PILOMAT BOLLARD 127/P 600AIXV - STAINLESS STEEL PAINTED
PILOMAT BOLLARD 127/P 600AIXS - STAINLESS STEEL BRUSHED
PIT IN ALUZINC FOR PILOMAT 127/P 600A - COUNTERFRAME AND BRACKETS ONE PIT FOR EACH BOLLARD
CONTROL UNIT FOR PILOMAT 127/P 600A
FLASHING LIGHT- 1 LED POINT
BUZZER ACOUSTIC SIGNAL FOR AUTOMATIC BOLLARD
REFLECTING ADHESIVE STRIP - WHITE (NO-LOGO)
HEAD WITHOUT LOGO FOR PILOMAT 127/P 600A
PAINTING WITH RAL COLOUR ON REQUEST
BIODEGRADABLE OIL FOR HYDRAULIC PUMP
HEATING RESISTANCE FOR PILOMAT BOLLARDS - TRANSFORMER AND THERMOSTAT ONE RESISTANCE FOR EACH BOLLARD
RADIO RECEIVER
RADIO TRANSMITTER TWO-CHANNEL
TRAFFIC LIGHT WITH TWO LIGHTS (GREEN-RED)
INDUCTIVE DETECTOR FOR LOOPS
INDUCTIVE LOOPS
TIMER PROGRAMMER
INDUCTIVE CARD READER
LOCK SELECTOR



PILOMAT

100% MADE IN ITALY

PAG.2/3

PILOMAT s.r.l.
www.pilomat.com / pilomat@pilomat.com
Via Zanica 17/p, 24050, Grassobbio (BG) Italy
Tel. +39.035.29.72.20
Copyright 2016© Pilomat S.r.l. All rights reserved

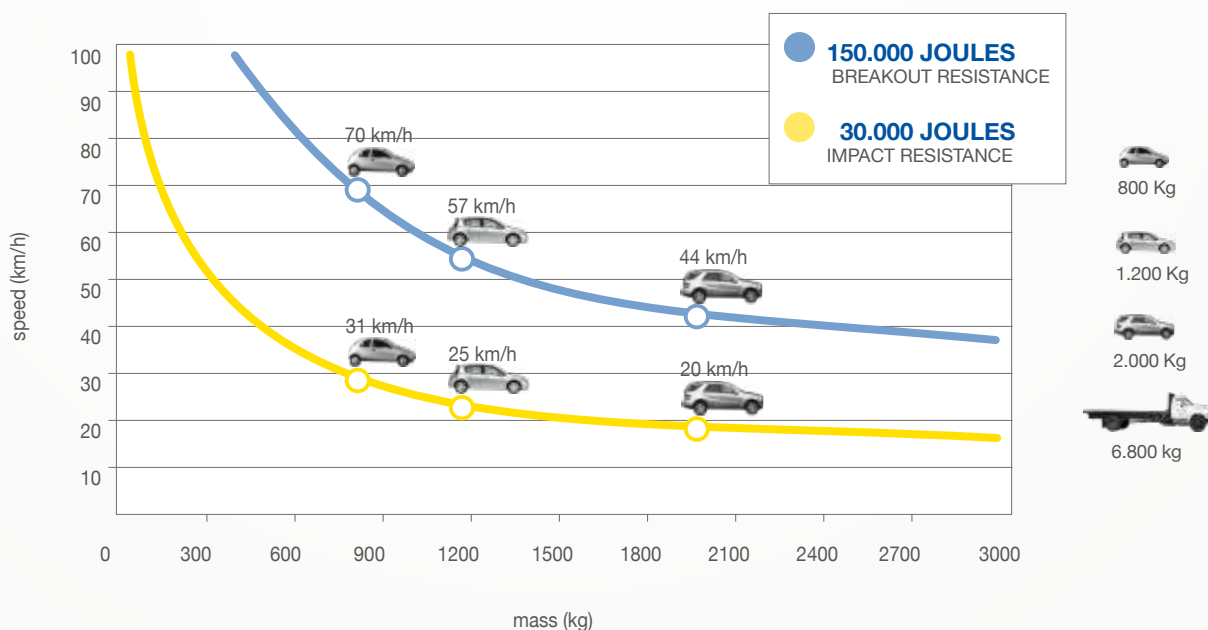
127/P 600A_DATASHEET.19 REVIEW 25/09/2019

Information in this document is for reference only. In pursuit of its policy of continuous refinement and improvement, Pilomat reserves the right to amend this information at any time and without prior notice.
Picture shown is for illustration purpose only.

127/P 600A



CYLINDER MATERIAL	S235JR NORMAL STEEL - X5CrNi 18-10 (AISI 304) STAINLESS STEEL
CYLINDER DIAMETER	127mm
CYLINDER HEIGHT	600mm
CYLINDER STEEL THICKNESS (STEEL)	6mm
CYLINDER STEEL THICKNESS (STAINLESS STEEL)	4mm
CYLINDER NORMAL STEEL FINISH	ANTI-CORROSION TREATMENT - GREY ANTHRACITE STANDARD PAINTING
CYLINDER STAINLESS STEEL FINISH	GREY ANTHRACITE STANDARD PAINTING OR BRUSHING
REFLECTING ADHESIVE STRIP	YES - HEIGHT 23mm
RISING SPEED	15cm/s
LOWERING SPEED	25cm/s
MANUAL EMERGENCY LOWERING	YES (ALSO VERSION WITH AUTOMATIC LOWERING IN CASE OF POWER FAILURE)
SAFETY REVERSAL PRESSURE SWITCH	YES
CONNECTION LINE TO CONTROL UNIT	STANDARD 10m (MAX. LENGTH 80m - WITH HEATING RESISTANCE MAX. 50m)
VOLTAGE FOR CONTROL UNIT	230Vac (+/- 10%) 50/60Hz
HYDRAULIC PUMP	BUILT-IN INTO THE BOLLARD
PROTECTION CLASS	IP67
TYPE OF USE	INTENSIVE - LIFE AVERAGE 3.000.000 MOVEMENTS - 2000 MOVEMENTS/DAY
IMPACT RESISTANCE (WITHOUT DEFORMATION)	30.000 J
BREAKOUT RESISTANCE	150.000 J
OPERATING TEMPERATURE	-40 °C +70 °C (FOR TEMPERATURES LOWER THAN -10 °C USE THE HEATING RESISTANCE)



100% MADE IN ITALY

PILOMAT s.r.l.
www.pilomat.com / pilomat@pilomat.com
 Via Zanica 17/p, 24050, Grassobbio (BG) Italy
 Tel. +39.035.29.72.20
 Copyright 2016© Pilomat S.r.l. All rights reserved