

220/P 600A



HYDRAULIC BOLLARD WITH BUILT-IN PUMP

PILOMAT 220/P 600A automatic bollards are the top line products of the PILOMAT range. Current models are the result of our 40 years' experience in the security field and in excess of 20 years in the specific design and manufacture of bollards. The 220/P 600A bollard is recommended for use in any pedestrian areas, private parkings, business parkings, private driveways, business driveways, commercial driveways.

The 220/P 600A is available with a large number of optional accessories that allow you to customize your system according to your security needs.



PAG.1/3

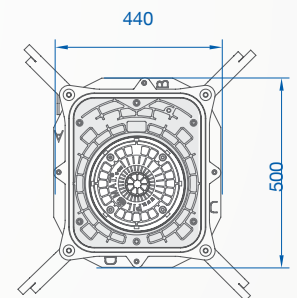
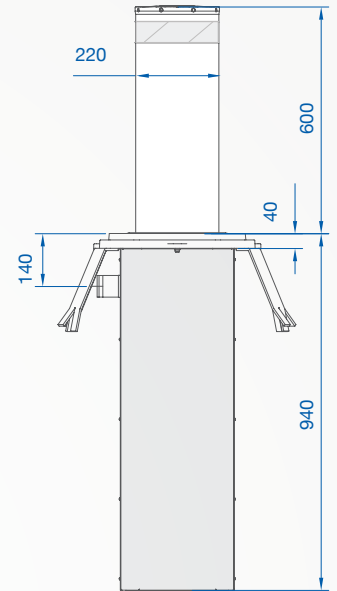
PILOMAT s.r.l.
www.pilomat.com / pilomat@pilomat.com
Via Zanica 17/p, 24050, Grassobbio (BG) Italy
Tel. +39.035.29.72.20
Copyright 2019© Pilomat S.r.l. All rights reserved

220/P 600A_DATASHEET.19 REVIEW 28/08/2019

*Information in this document is for reference only. In pursuit of its policy of continuous refinement and improvement, Pilomat reserves the right to amend this information at any time and without prior notice.
Picture shown is for illustration purpose only.*

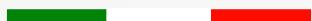
AVAILABLE ITEMS

PILOMAT BOLLARD 220/P 600AFEV - NORMAL STEEL PAINTED
PILOMAT BOLLARD 220/P 600AIXV - STAINLESS STEEL PAINTED
PILOMAT BOLLARD 220/P 600AIXS - STAINLESS STEEL BRUSHED
PIT IN ALUZINC FOR PILOMAT 220/P 600A - COUNTERFRAME AND BRACKETS ONE PIT FOR EACH BOLLARD
CONTROL UNIT FOR PILOMAT 220/P 600A
MULTILED FLASHING LIGHT- 8 LED POINTS
BUZZER ACOUSTIC SIGNAL FOR AUTOMATIC BOLLARD
REFLECTING ADHESIVE STRIP - WHITE (NO-LOGO)
HEAD WITHOUT LOGO FOR PILOMAT 220/P 600A
PAINTING WITH RAL COLOUR ON REQUEST
BIODEGRADABLE OIL FOR HYDRAULIC PUMP
HEATING RESISTANCE FOR PILOMAT BOLLARDS - TRANSFORMER AND THERMOSTAT ONE RESISTANCE FOR EACH BOLLARD
RADIO RECEIVER
RADIO TRANSMITTER TWO-CHANNEL
TRAFFIC LIGHT WITH TWO LIGHTS (GREEN-RED)
INDUCTIVE DETECTOR FOR LOOPS
INDUCTIVE LOOPS
TIMER PROGRAMMER
INDUCTIVE CARD READER
LOCK SELECTOR



PILOMAT

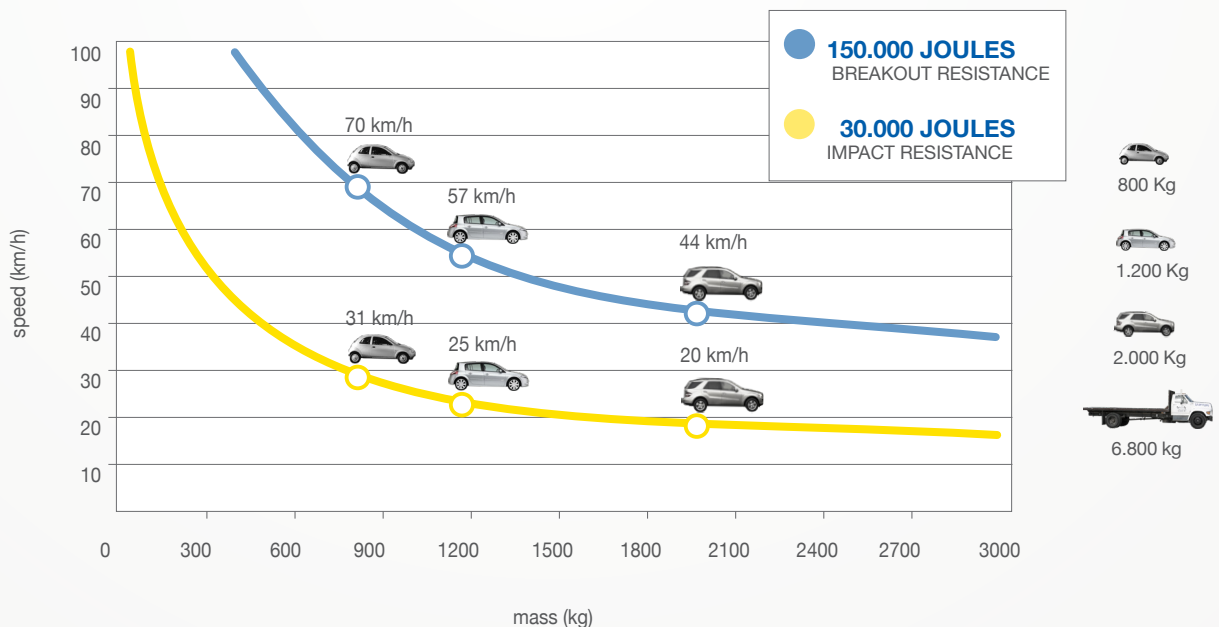
100% MADE IN ITALY



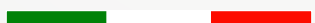
220/P 600A



CYLINDER MATERIAL	S235JR NORMAL STEEL - X5CrNi 18-10 (AISI 304) STAINLESS STEEL
CYLINDER DIAMETER	220mm
CYLINDER HEIGHT	600mm
CYLINDER THICKNESS	4mm
MOVEMENT PRINCIPLE	HYDRAULIC
CYLINDER NORMAL STEEL FINISH	ANTI-CORROSION TREATMENT - STANDARD PAINTING GREY ANTHRACITE
CYLINDER STAINLESS STEEL FINISH	GREY ANTHRACITE STANDARD PAINTING OR BRUSHING
REFLECTING ADHESIVE STRIP	STANDARD - HEIGHT 55mm
RISING SPEED	15cm/s
LOWERING SPEED	30cm/s
MANUAL EMERGENCY LOWERING	STANDARD
SAFETY REVERSAL PRESSURE SWITCH	STANDARD
CONNECTION LINE TO CONTROL UNIT	STANDARD 10m (MAX. LENGTH 80m - WITH HEATING RESISTANCE MAX. 50m)
VOLTAGE FOR CONTROL UNIT	230/400Vac (+/- 10%) 50/60Hz
HYDRAULIC PUMP	BUILT-IN INTO THE BOLLARD
PROTECTION CLASS	IP67
TYPE OF USE	INTENSIVE - 2.000 CYCLES/DAY
LIFE UNITS - MCBF	3.000.000 CYCLES
IMPACT RESISTANCE (WITHOUT DEFORMATION)	30.000 J.
BREAKOUT RESISTANCE	150.000 J.
NOMINAL OPERATING TEMPERATURE	-40 °C +70 °C (FOR TEMPERATURES SEE THE HEATING RESISTANCE)



100% MADE IN ITALY



PILOMAT s.r.l.
www.pilomat.com / pilomat@pilomat.com
 Via Zanica 17/p, 24050, Grassobbio (BG) Italy
 Tel. +39.035.29.72.20
 Copyright 2019© Pilomat S.r.l. All rights reserved