

220/P 600SA



SEMI-AUTOMATIC BOLLARDS WITH GAS ACTUATOR

The semiautomatic bollard PILOMAT 220/P 600SA with single gas actuator is designed and built with architectural appearance similar to that of the automatic PILOMAT bollards and therefore also allows the combined use of both versions. Current models are the result of our 40 years' experience in the security field and in excess of 20 years in the specific design and manufacture of bollards.

GENERAL FEATURES

The Semiautomatic PILOMAT are used to define or prevent the stationing or transit of vehicles in pedestrian or private areas. Because of the procedure of parking, it is advised that the semi-automatic PILOMAT be used only if the amount of daily movements is limited.



PILOMAT

100% MADE IN ITALY

PAG.1/3

PILOMAT s.r.l.
www.pilomat.com / pilomat@pilomat.com
Via Zanica 17/p, 24050, Grassobbio (BG) Italy
Tel. +39.035.29.72.20
Copyright 2019© Pilomat S.r.l. All rights reserved

220/P 600SA_DATASHEET.19 REVIEW 04/02/2019

*Information in this document is for reference only. In pursuit of its policy of continuous refinement and improvement, Pilomat reserves the right to amend this information at any time and without prior notice.
Picture shown is for illustration purpose only.*

AVAILABLE ITEMS

PILOMAT BOLLARD 220/P 600SAFEV - NORMAL STEEL PAINTED

PILOMAT BOLLARD 220/P 600SAIXV - STAINLESS STEEL PAINTED

PILOMAT BOLLARD 220/P 600SAIXS - STAINLESS STEEL BRUSHED

PIT IN ALUZINC FOR PILOMAT 220/P 600SA - COUNTERFRAME AND BRACKETS / ONE PIT FOR EACH BOLLARD

MULTILED FLASHING LIGHT- 8 LED POINT

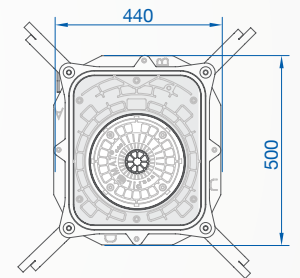
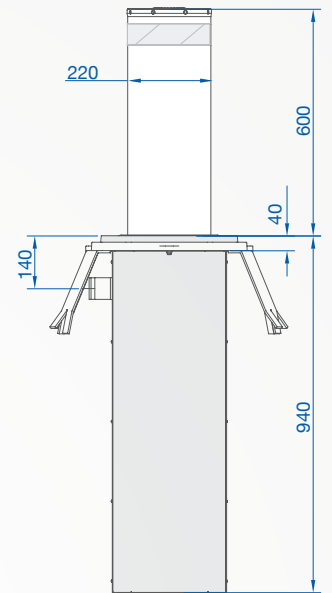
FLASHING LIGHT POWER CIRCUIT FOR SEMIAUTOMATIC BOLLARDS (MAX. 4 BOLLARDS)

HEAD WITHOUT LOGO FOR PILOMAT 220/P 600SA

PAINTING WITH RAL COLOUR ON REQUEST

LOCK FOR TRIANGULAR KEY 9mm - WITHOUT KEYS

KIT 5 TRIANGULAR KEYS 11mm FOR SEMIAUTOMATIC BOLLARDS



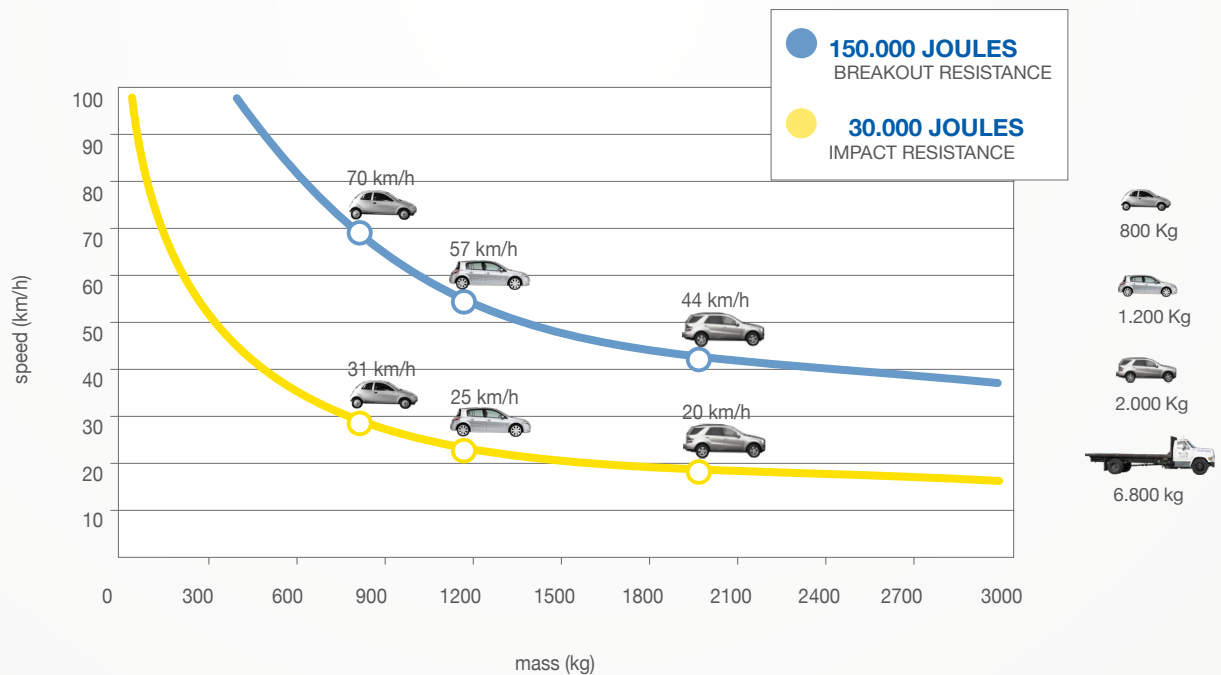
PILOMAT

100% MADE IN ITALY

220/P 600SA



CYLINDER MATERIAL	S235JR NORMAL STEEL - X5CrNi 18-10 (AISI 304) STAINLESS STEEL
CYLINDER DIAMETER	220mm
CYLINDER HEIGHT	600mm
CYLINDER THICKNESS	4mm
MOVEMENT PRINCIPLE	SEMI-AUTOMATIC WITH GAS ACTUATOR
CYLINDER NORMAL STEEL FINISH	ANTI-CORROSION TREATMENT - STANDARD PAINTING GREY ANTHRACITE
CYLINDER STAINLESS STEEL FINISH	GREY ANTHRACITE STANDARD PAINTING OR BRUSHING
REFLECTING ADHESIVE STRIP	STANDARD - HEIGHT 55mm
RISING SPEED	20cm/s
LOWERING SPEED	MANUAL (PRESSURE WITH THE FOOT ON THE HEAD OF THE BOLLARD)
CONNECTION LINE FOR FLASHING LIGHT (OPTIONAL)	STANDARD 10m (MAX. LENGTH 80m - WITH HEATING RESISTANCE MAX 50m)
IP PROTECTION	IP67
IMPACT RESISTANCE (WITHOUT DEFORMATION)	30.000 J
BREAKOUT RESISTANCE	150.000 J
NOMINAL OPERATING TEMPERATURE	-40 °C +70 °C (FOR LOW TEMPERATURES SEE THE HEATING RESISTANCE)
LOCK	STANDARD: TRIANGULAR LOCK 11mm



100% MADE IN ITALY

PILOMAT s.r.l.
 www.pilomat.com / pilomat@pilomat.com
 Via Zanica 17/p, 24050, Grassobbio (BG) Italy
 Tel. +39.035.29.72.20
 Copyright 2019© Pilomat S.r.l. All rights reserved