

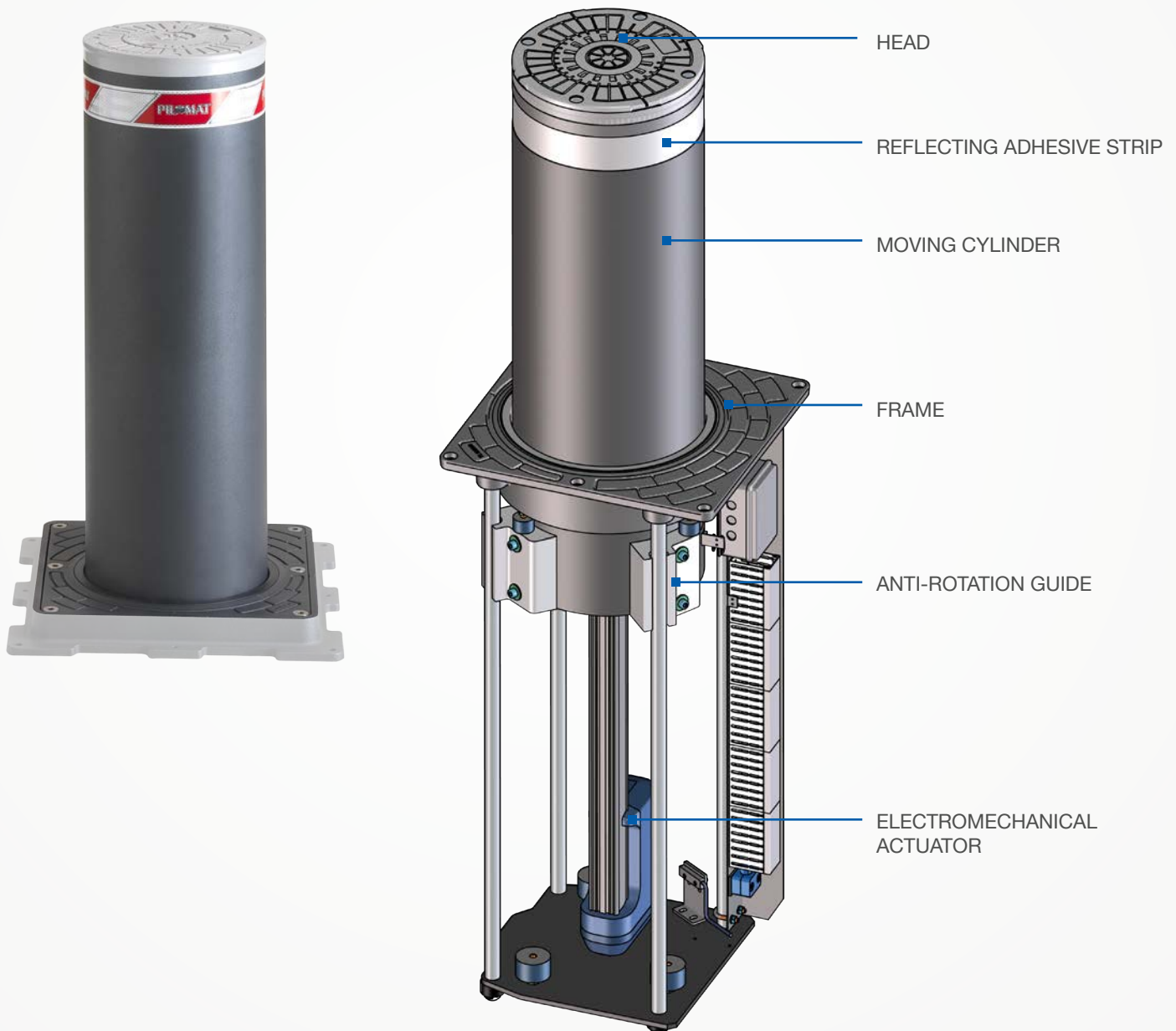
275/EM 800A



ELECTROMECHANICAL BOLLARDS

PILOMAT 275/EM 800A are automatic electromechanical bollards designed by the Pilomat staff, who has worked in the retractable technologies industry since more than 20 years. The 275/EM 800A bollard is recommended for use in pedestrian areas, private parkings, business parkings, private driveways, business driveways, commercial driveways.

The 275/EM 800A is available with a large number of optional accessories that allow you to customize your system according to your security needs.



PAG.1/3

PILOMAT

100% MADE IN ITALY

PILOMAT s.r.l.
www.pilomat.com / pilomat@pilomat.com
Via Zanica 17/p, 24050, Grassobbio (BG) Italy
Tel. +39.035.29.72.20
Copyright 2019© Pilomat S.r.l. All rights reserved

275/EM 800A_DATASHEET.19 REVIEW 05/09/2019

Information in this document is for reference only. In pursuit of its policy of continuous refinement and improvement, Pilomat reserves the right to amend this information at any time and without prior notice.
Picture shown is for illustration purpose only.

275/EM 800A



AVAILABLE ITEMS

PILOMAT BOLLARD 275EM800AFEV – NORMAL STEEL PAINTED

PILOMAT BOLLARD 275EM800AIXS – STAINLESS STEEL BRUSHED AISI 304

PILOMAT BOLLARD 275EM800AIXS - STAINLESS STEEL PAINTED

KIT HEAD WITH MULTILED FLASHING LIGHT 25 LED POINTS
ONE KIT FOR EACH BOLLARD

KIT ACOUSTIC ALARM
ATTENTION: AVAILABLE ONLY FOR HEAD WITH MULTILED FLASHING LIGHT
ONE KIT FOR EACH BOLLARD

KIT MAGNETIC CONTACT FOR TRAFFIC LIGHT
ONE KIT FOR EACH BOLLARD

ADHESIVE REFLECTING STRIP - WHITE (NO LOGO)

PIT FOR PILOMAT BOLLARD EM275800 – COUNTERFRAME AND BRACKET

CONTROL UNIT FOR AN INSTALLATION UP TO MAX 3 275/EM BOLLARDS
- N. 2 ACCUMULATORS

REMOTE RADIO RECEIVER

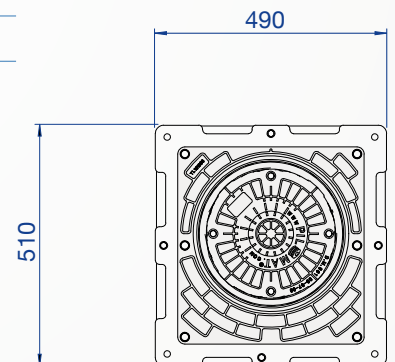
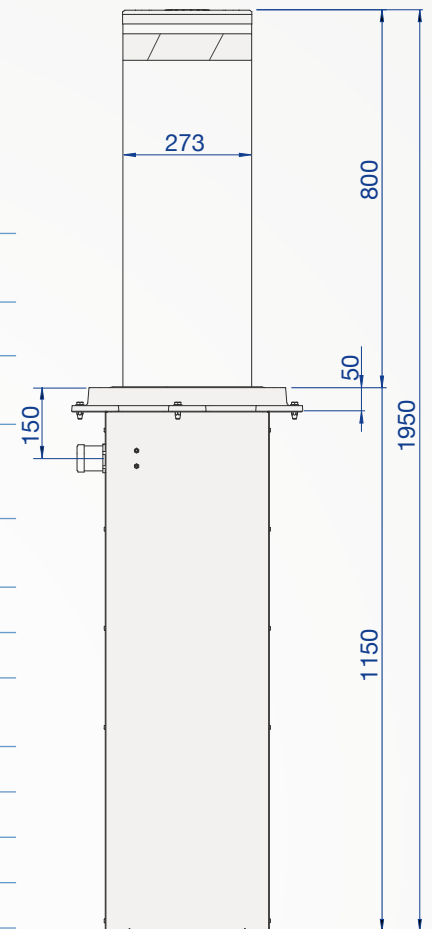
RADIO TRANSMITTER TWO CHANNEL

TRAFFIC LIGHT WITH TWO LIGHTS (RED - GREEN)

INDUCTIVE DETECTOR FOR TWO INDUCTIVE LOOPS

INDUCTIVE LOOPS

HEATING RESISTANCE - TRANSFORMER - THERMOSTAT



PILOMAT

100% MADE IN ITALY

PAG.2/3

PILOMAT s.r.l.
www.pilomat.com / pilomat@pilomat.com
Via Zanica 17/p, 24050, Grassobbio (BG) Italy
Tel. +39.035.29.72.20
Copyright 2019© Pilomat S.r.l. All rights reserved

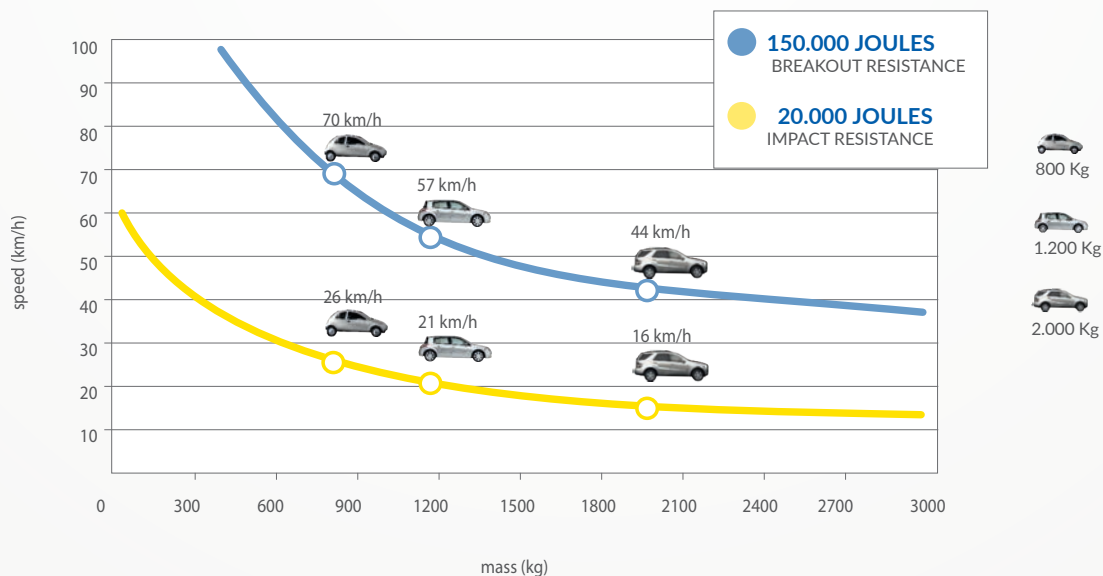
275/EM 800A_DATASHEET.19 REVIEW 05/09/2019

Information in this document is for reference only. In pursuit of its policy of continuous refinement and improvement, Pilomat reserves the right to amend this information at any time and without prior notice.
Picture shown is for illustration purpose only.

275/EM 800A



CYLINDER MATERIAL	S235JR NORMAL STEEL - X5CrNi 18-10 (AISI 304) STAINLESS STEEL
CYLINDER DIAMETER	273mm
CYLINDER HEIGHT	800mm
CYLINDER THICKNESS	4mm
MOVEMENT PRINCIPLE	ELETTROMECHANICAL
CYLINDER NORMAL STEEL FINISH	ANTI-CORROSION TREATMENT - GREY ANTHRACITE STANDARD PAINTING
CYLINDER STAINLESS STEEL FINISH	GREY ANTHRACITE STANDARD PAINTING OR BRUSHING
REFLECTING ADHESIVE STRIP	STANDARD - HEIGHT 55MM
RISING SPEED	11cm/s
LOWERING SPEED	14cm/s
EMERGENCY LOWERING IF POWER FAILS	STANDARD (ACCUMULATORS 12V 7AH INTO THE CONTROL UNIT)
SAFETY REVERSAL PRESSURE SWITCH	STANDARD
CONNECTION LINE TO CONTROL UNIT	STANDARD 10M (MAX 30M)
VOLTAGE FOR CONTROL UNIT	230/400 VAC (+/- 10%) 50/60HZ
ELECTROMECHANICAL MOTOR	BUILT-IN THE BOLLARD
POWER CONSUMPTION ELECTROMECHANICAL MOTOR	140W (MAX. 250W) - 0,6A (MAX. 1,1A)
PROTECTION CLASS	IP 67
TYPE OF USE	100 CYCLES/DAY
LIFE UNITS	200.000 CYCLES
IMPACT RESISTANCE (WITHOUT DEFORMATION)	20.000 J - Certified TÜV Rheinland
BREAKOUT RESISTANCE	150.000 J
NOMINAL OPERATING TEMPERATURE	-40°C +70°C (FOR LOW TEMPERATURES SEE HEATING RESISTANCE)



100% MADE IN ITALY

PILOMAT s.r.l.
www.pilomat.com / pilomat@pilomat.com
 Via Zanica 17/p, 24050, Grassobbio (BG) Italy
 Tel. +39.035.29.72.20
 Copyright 2019© Pilomat S.r.l. All rights reserved