

# 275/P 600SA



## SEMI-AUTOMATIC BOLLARDS WITH GAS ACTUATOR

The semiautomatic bollard PILOMAT 275/P 600SA with single gas actuator is designed and built with architectural appearance similar to that of the automatic PILOMAT bollards and therefore also allows the combined use of both versions. Current models are the result of our 40 years' experience in the security field and in excess of 20 years in the specific design and manufacture of bollards.

### GENERAL FEATURES

The Semiautomatic PILOMAT are used to define or prevent the stationing or transit of vehicles in pedestrian or private areas. Because of the procedure of parking, it is advised that the semi-automatic PILOMAT be used only if the amount of daily movements is limited.



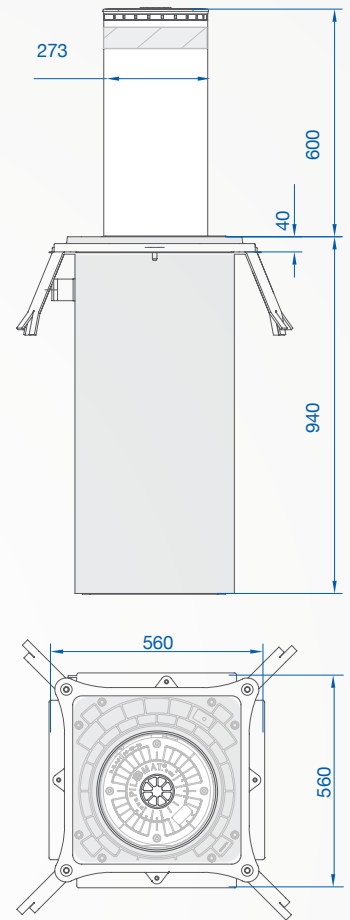
PAG.1/3

PILOMAT s.r.l.  
www.pilomat.com / pilomat@pilomat.com  
Via Zanica 17/p, 24050, Grassobbio (BG) Italy  
Tel. +39.035.29.72.20  
Copyright 2019© Pilomat S.r.l. All rights reserved

275/P 600SA\_DATASHEET.19 REVIEW 24/09/2019

## AVAILABLE ITEMS

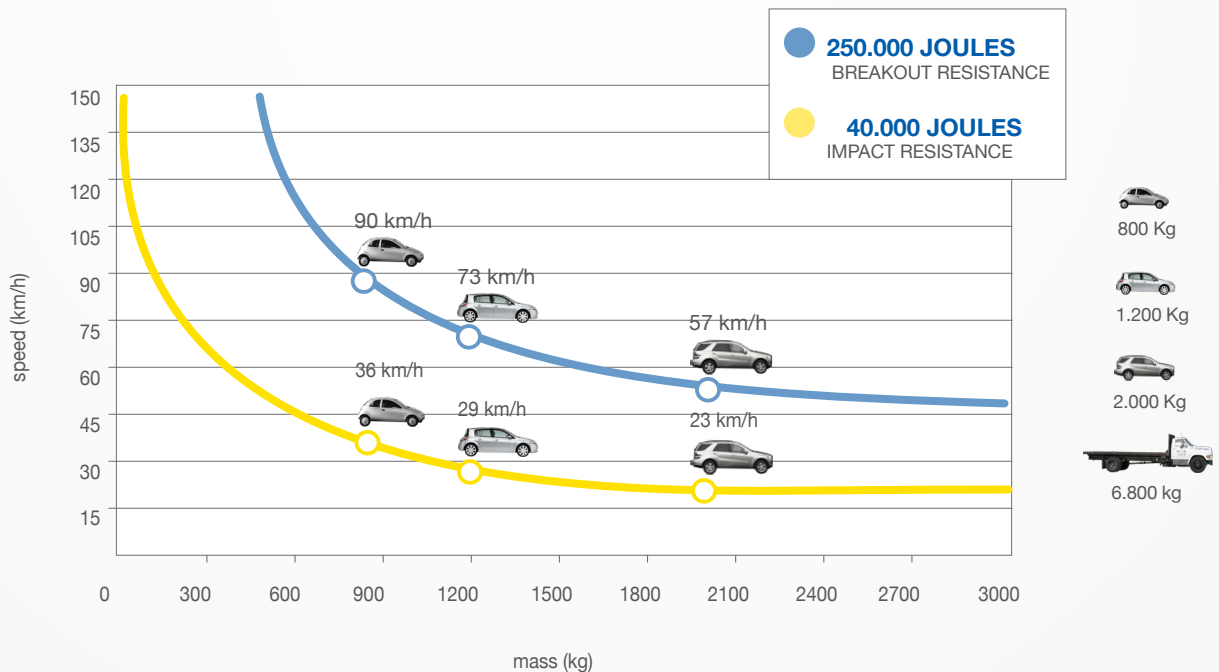
PILOMAT BOLLARD 275/P 600SAFEV - NORMAL STEEL PAINTED
PILOMAT BOLLARD 275/P 600SAIXV - STAINLESS STEEL PAINTED
PILOMAT BOLLARD 275/P 600SAIXS - STAINLESS STEEL BRUSHED
RIBS ON MOVING CYLINDER
PIT IN ALUZINC FOR PILOMAT 275/P 600SA - COUNTERFRAME AND BRACKETS ONE PIT FOR EACH BOLLARD
MULTILED FLASHING LIGHT- 8 LED POINT
MULTILED FLASHING LIGHT- 25 LED POINT
FLASHING LIGHT POWER CIRCUIT FOR SEMIAUTOMATIC BOLLARDS (MAX. 4 BOLLARDS)
HEAD WITHOUT LOGO FOR PILOMAT 275/P 600SA
PAINTING WITH RAL COLOUR ON REQUEST
STANDARD LOCK AND SECURITY LOCK - 2 KEYS
LOCK FOR TRIANGULAR KEY 11mm - 2 KEYS
LOCK FOR TRIANGULAR KEY 9mm - WITHOUT KEYS
LOCK FOR TRIANGULAR KEY 16mm - WITHOUT KEYS
LOCK FOR TRIANGULAR KEY 19mm - WITHOUT KEYS
KIT 5 TRIANGULAR KEYS 11mm FOR SEMIAUTOMATIC BOLLARDS
KIT 5 STANDARD KEYS FOR SEMIAUTOMATIC BOLLARDS



# 275/P 600SA



CYLINDER MATERIAL	S235JR NORMAL STEEL - X5CrNi 18-10 (AISI 304) STAINLESS STEEL
CYLINDER DIAMETER	273mm
CYLINDER HEIGHT	600mm
CYLINDER THICKNESS	6mm
MOVEMENT PRINCIPLE	SEMI-AUTOMATIC WITH GAS ACTUATOR
CYLINDER NORMAL STEEL FINISH	ANTI-CORROSION TREATMENT - GREY ANTHRACITE STANDARD PAINTING
CYLINDER STAINLESS STEEL FINISH	GREY ANTHRACITE STANDARD PAINTING OR BRUSHING
REFLECTING ADHESIVE STRIP	STANDARD - HEIGHT 55mm
RISING SPEED	20cm/s
LOWERING SPEED	MANUAL (PRESSURE WITH THE FOOT ON THE HEAD OF THE BOLLARD)
CONNECTION LINE FOR FLASHING LIGHT (OPTIONAL)	STANDARD 10m - (MAX. LENGTH 80m - WITH HEATING RESISTANCE MAX 50m)
PROTECTION CLASS	IP67
IMPACT RESISTANCE (WITHOUT DEFORMATION)	30.000 J - Certified TUV Rheinland
BREAKOUT RESISTANCE	250.000 J
NOMINAL OPERATING TEMPERATURE	-40 °C +70 °C (FOR LOW TEMPERATURES SEE THE HEATING RESISTANCE)



PILOMAT s.r.l.  
 www.pilomat.com / pilomat@pilomat.com  
 Via Zanica 17/p, 24050, Grassobbio (BG) Italy  
 Tel. +39.035.29.72.20  
 Copyright 2019© Pilomat S.r.l. All rights reserved

Information in this document is for reference only. In pursuit of its policy of continuous refinement and improvement, Pilomat reserves the right to amend this information at any time and without prior notice. Picture shown is for illustration purpose only.