

# 220/PF 600F



## FIXED BOLLARDS WITH BRACKETS TO BE ANCHORED IN GROUND

The fixed 220/PF 600F PILOMAT have been designed and built with architectural appearance similar to that of the retractable PILOMAT bollards and therefore also allows the combined use of both versions. Current models are the result of our 40 years' experience in the security field and in excess of 20 years in the specific design and manufacture of bollards.

### GENERAL FEATURES

The fixed PILOMAT are used in public or private areas in order to define or prevent the parking of vehicles, for preventing access to vehicles in pedestrian areas. These items can be cemented to the ground (in this case, the breakout resistance depends on the depth to which it is anchored into the ground) or be secured in place by chemical anchors in places where you cannot make the same anchor, or where masonry is already completed.



**PILOMAT**

100% MADE IN ITALY

PAG.1/2

PILOMAT s.r.l.  
www.pilomat.com / pilomat@pilomat.com  
Via Zanica 17/p, 24050, Grassobbio (BG) Italy  
Tel. +39.035.29.72.20  
Copyright 2019© Pilomat S.r.l. All rights reserved

220/PF 600F\_DATASHEET.19 REVIEW 05/02/2019

*Information in this document is for reference only. In pursuit of its policy of continuous refinement and improvement, Pilomat reserves the right to amend this information at any time and without prior notice.  
Picture shown is for illustration purpose only.*

# 220/PF 600F



## AVAILABLE ITEMS

- PILOMAT BOLLARD 220/PF 600FEV - NORMAL STEEL PAINTED

---

- PILOMAT BOLLARD 220/PF 600FIXV - STAINLESS STEEL PAINTED

---

- PILOMAT BOLLARD 220/PF 600FIXS - STAINLESS STEEL BRUSHED

---

- HEAD WITHOUT LOGO FOR PILOMAT 220/PF 600F

---

- MULTILED FLASHING LIGHT - 8 LED POINTS

---

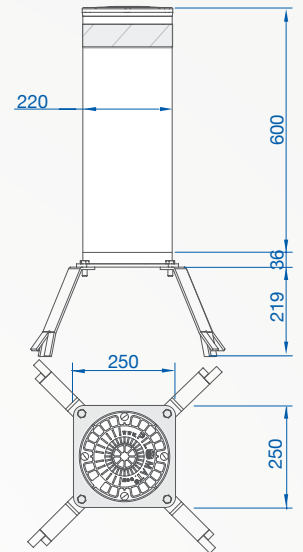
- FLASHING LIGHT POWER CIRCUIT FOR FIXED BOLLARDS (MAX. 4 BOLLARDS)

---

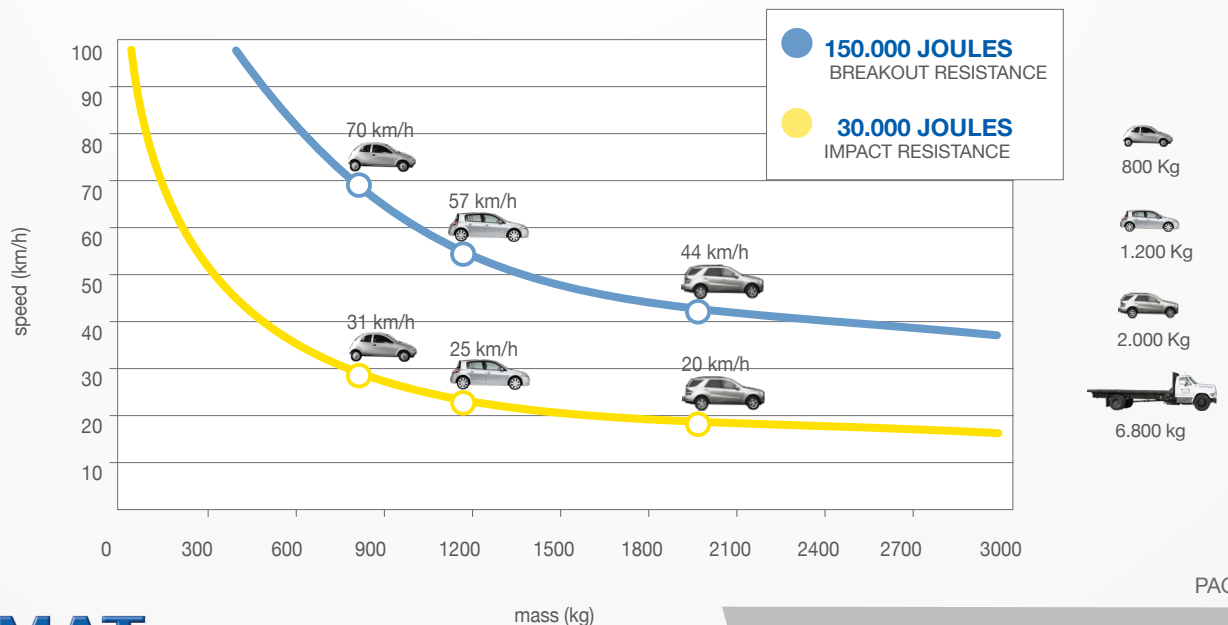
- REFLECTING ADHESIVE STRIP - WHITE (NO-LOGO)

---

- PAINTING WITH RAL COLOUR ON REQUEST



FIXED CYLINDER MATERIAL	S235JR NORMAL STEEL - X5CrNi 18-10 (AISI 304) STAINLESS STEEL
FIXED CYLINDER DIAMETER	220mm
FIXED CYLINDER HEIGHT	600mm
FIXED CYLINDER NORMAL THICKNESS	4mm
FIXED CYLINDER NORMAL STEEL FINISH	ANTI-CORROSION TREATMENT - STANDARD PAINTING GREY ANTHRACITE
FIXED CYLINDER STAINLESS STEEL FINISH	GREY ANTHRACITE STANDARD PAINTING OR BRUSHING
REFLECTING ADHESIVE STRIP	STANDARD - HEIGHT 55MM
PROTECTION CLASS	IP67
IMPACT RESISTANCE (WITHOUT DEFORMATION)	30.000 J
BREAKOUT RESISTANCE	150.000 J
BRACKETS TO WALL	STANDARD - N. 4 BRACKETS
CONNECTION LINE FOR FLASHING LIGHT (OPTIONAL)	STANDARD 10M (MAX. LENGTH 80M)



100% MADE IN ITALY

PILOMAT s.r.l.  
 www.pilomat.com / pilomat@pilomat.com  
 Via Zanica 17/p, 24050, Grassobbio (BG) Italy  
 Tel. +39.035.29.72.20  
 Copyright 2019© Pilomat S.r.l. All rights reserved

220/PF 600F\_DATASHEET.19 REVIEW 05/02/2019