

275/K4 700F



ANTI-TERRORISM FIXED BOLLARDS WITH COUNTERFRAME

The fixed 275/K4 700F bollards have been designed and built with architectural appearance similar to that of the retractable bollards and therefore also allows the combined use of both versions.

Current models are the result of our 40 years' experience in the security field and in excess of 20 years in the specific design and manufacture of bollards.

GENERAL FEATURES

The fixed antiterrorism bollards are used to separate and prevent vehicles from breaching the perimeter of the following areas: Research Centres Embassies, Police Headquarters, Military Bases, Ministerial Buildings Sites in Sensitive Areas. These items, with a counterframe to wall, in addition to the architectural appearance of the K4 automatic bollards, allow for the removal of the bollard in the event of such a removal being needed, or if impact has occurred.



100% MADE IN ITALY



PAG.1/3

PILOMAT S.r.l.
www.pilomat.com / pilomat@pilomat.com
Via Zanica 17/p, 24050, Grassobbio (BG) Italy
Tel. +39.035.29.72.20
Copyright 2019© Pilomat S.r.l. All rights reserved

275/K4700F_DATASHEET.19 REVIEW 25/09/2019

*Information in this document is for reference only. In pursuit of its policy of continuous refinement and improvement, Pilomat reserves the right to amend this information at any time and without prior notice.
Picture shown is for illustration purpose only.*

AVAILABLE ITEMS

PILOMAT BOLLARD 275/K4 700FFEV - NORMAL STEEL PAINTED

PILOMAT BOLLARD 275/K4 700FIXS - STAINLESS STEEL BRUSHED

RIBS ON FIXED CYLINDER

REDUCED PIT WITH COUNTERFRAME
ONE PIT FOR EACH BOLLARD

KIT REBARS FOR PIT 275/K4 700

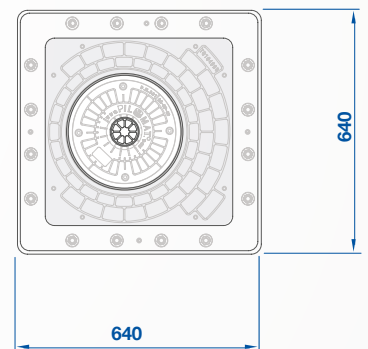
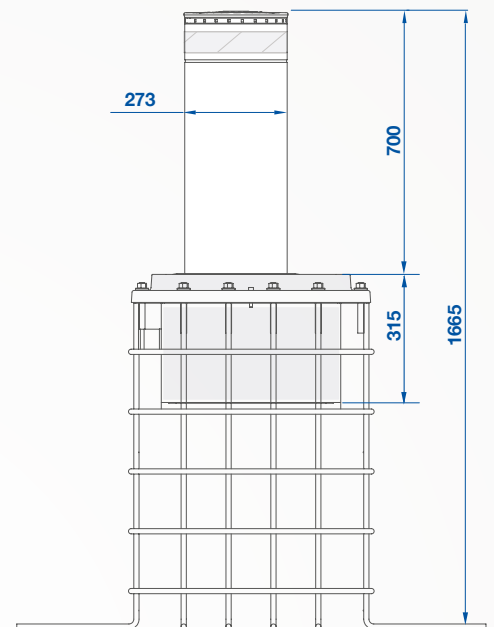
HEAD WITHOUT LOGO FOR PILOMAT 275/K4 700F

REFLECTING ADHESIVE STRIP - WHITE (NO-LOGO)

MULTILED FLASHING LIGHT - 25 LED POINTS

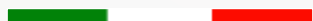
FLASHING LIGHT POWER CIRCUIT FOR FIXED BOLLARDS (MAX. 4 BOLLARDS)

PAINTING WITH RAL COLOUR ON REQUEST



PILOMAT

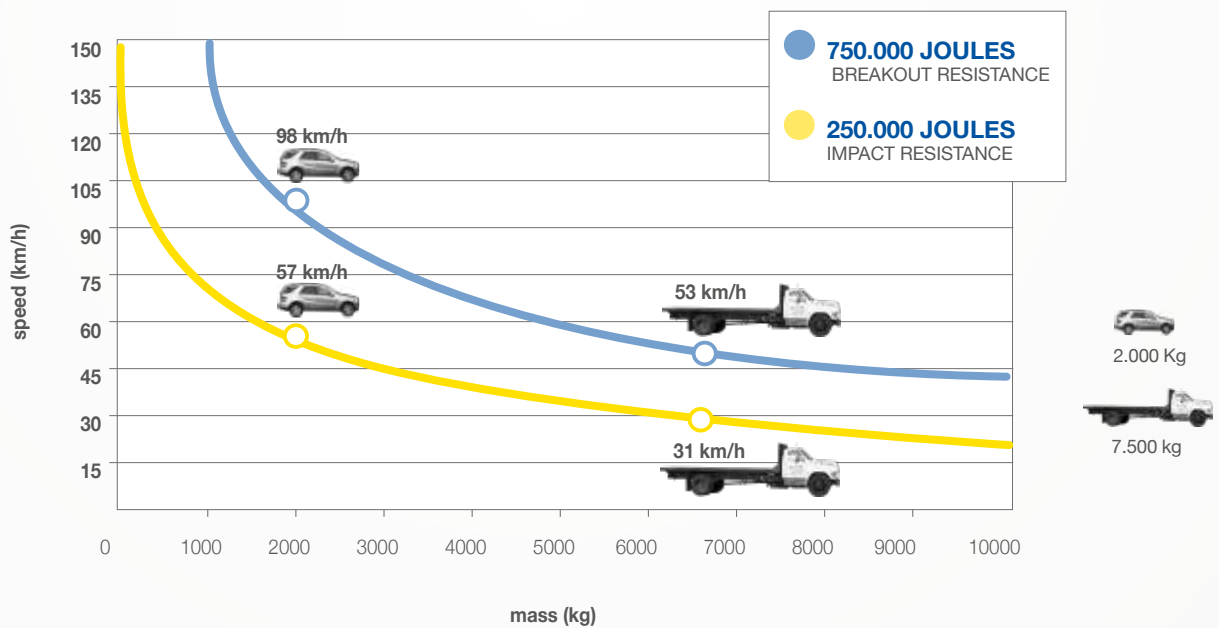
100% MADE IN ITALY



275/K4 700F



CYLINDER MATERIAL	S355JR NORMAL STEEL X5CrNi18-10 (AISI 304)/ X5CrNiMo17-12-2 (AISI 316) STAINLESS STEEL
CYLINDER DIAMETER	273mm
CYLINDER HEIGHT	700mm
CYLINDER THICKNESS	10mm
CYLINDER NORMAL STEEL FINISH	ANTI-CORROSION TREATMENT - STANDARD PAINTING GREY ANTHRACITE
CYLINDER STAINLESS STEEL FINISH	STANDARD PAINTING GREY ANTHRACITE OR BRUSHING
OTHER CYLINDER FINISH	RIBS ON THE SURFACE
REFLECTING ADHESIVE STRIP	YES - HEIGHT 55mm
CONNECTION LINE FOR FLASHING LIGHT (OPTIONAL)	STANDARD 10m (MAX. LENGTH 80m)
PROTECTION CLASS	IP67
IMPACT RESISTANCE (WITHOUT DEFORMATION)	250.000 J
BREAKOUT RESISTANCE	750.000 J



100% MADE IN ITALY

PILOMAT S.r.l.
www.pilomat.com / pilomat@pilomat.com
 Via Zanica 17/p, 24050, Grassobbio (BG) Italy
 Tel. +39.035.29.72.20
 Copyright 2019© Pilomat S.r.l. All rights reserved