

275/K4FB 700F



ANTI-TERRORISM FIXED BOLLARDS WITH BASEMENT

The fixed 275/K4FB 700F PILOMAT have been designed and built with architectural appearance similar to that of the retractable PILOMAT and therefore also allows the combined use of both versions.

Current models are the result of our 40 years' experience in the security field and in excess of 20 years in the specific design and manufacture of bollards.

GENERAL FEATURES

The fixed antiterrorism PILOMAT are used to separate and prevent vehicles from breaching the perimeter of the following areas: Research Centres Embassies, Police Headquarters, Military Bases, Ministerial Buildings Sites in Sensitive Areas. These items are designed to ensure antiterrorism defence, and must be cemented into the ground at a depth that meets the standards of breakout resistance.



PAG.1/3



100% MADE IN ITALY

PILOMAT s.r.l.
www.pilomat.com / pilomat@pilomat.com
Via Zanica 17/p, 24050, Grassobbio (BG) Italy
Tel. +39.035.29.72.20
Copyright 2016© Pilomat S.r.l. All rights reserved

275/K4FB 700F_DATASHEET.19 REVIEW 24/09/2019

*Information in this document is for reference only. In pursuit of its policy of continuous refinement and improvement, Pilomat reserves the right to amend this information at any time and without prior notice.
Picture shown is for illustration purpose only.*

275/K4FB 700F



AVAILABLE ITEMS

PILOMAT BOLLARD 275/K4FB 700FFEV - NORMAL STEEL PAINTED

PILOMAT BOLLARD 275/K4FB 700FIXS - STAINLESS STEEL BRUSHED

RIBS ON FIXED CYLINDER - NORMAL STEEL

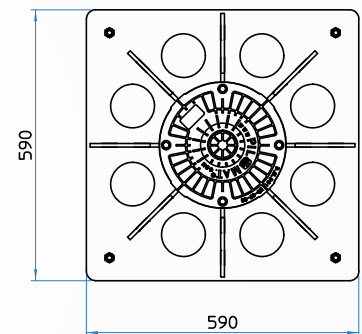
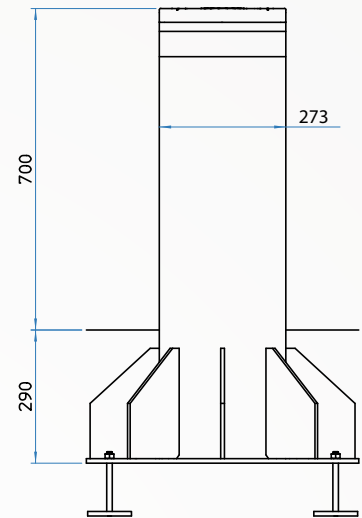
HEAD WITHOUT LOGO FOR PILOMAT 275/K4FB 700F

REFLECTING ADHESIVE STRIP - WHITE (NO-LOGO)

MULTILED FLASHING LIGHT - 25 LED POINTS

FLASHING LIGHT POWER CIRCUIT FOR FIXED BOLLARDS (MAX. 4 BOLLARDS)

PAINTING WITH RAL COLOUR ON REQUEST



100% MADE IN ITALY

PAG.2/3

PILOMAT s.r.l.
www.pilomat.com / pilomat@pilomat.com
Via Zanica 17/p, 24050, Grassobbio (BG) Italy
Tel. +39.035.29.72.20
Copyright 2016© Pilomat S.r.l. All rights reserved

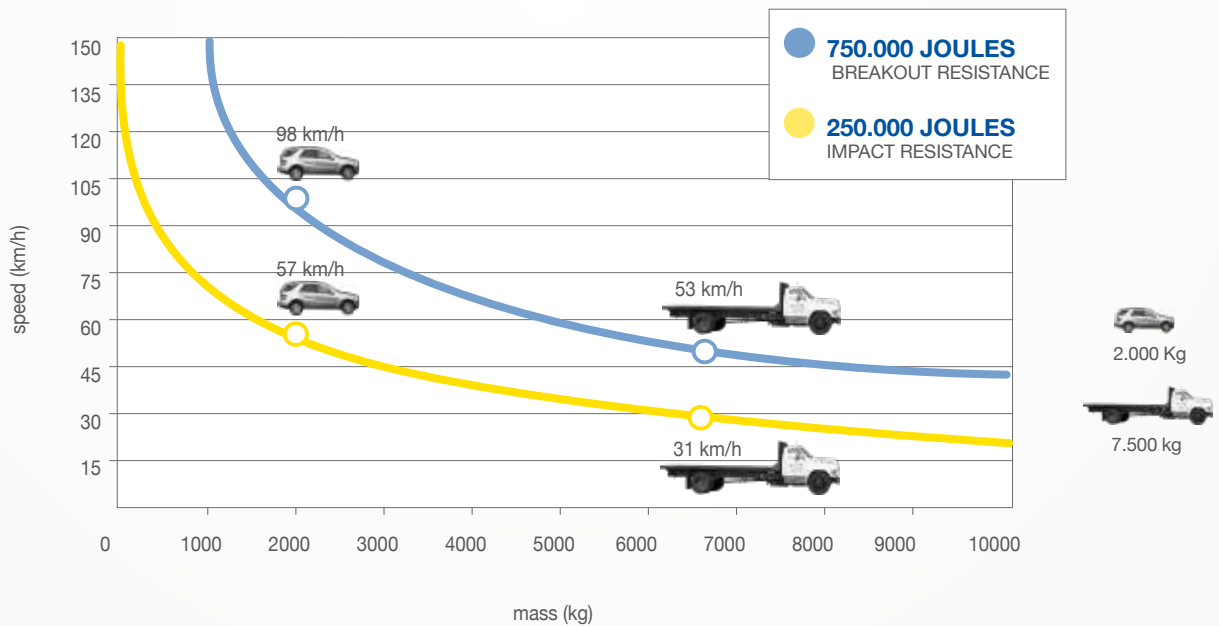
275/K4FB 700F_DATASHEET.19 REVIEW 24/09/2019

Information in this document is for reference only. In pursuit of its policy of continuous refinement and improvement, Pilomat reserves the right to amend this information at any time and without prior notice.
Picture shown is for illustration purpose only.

275/K4FB 700F



FIXED CYLINDER	NORMAL STEEL S355JR - X5CrNi 18-10 (AISI 304) STAINLESS STEEL
FIXED CYLINDER DIAMETER	273mm
FIXED CYLINDER HEIGHT	700mm
FIXED CYLINDER THICKNESS	10mm
FIXED CYLINDER NORMAL STEEL FINISH	ANTI-CORROSION TREATMENT - STANDARD PAINTING GREY ANTHRACITE
FIXED CYLINDER STAINLESS STEEL FINISH	AISI 304 STAINLESS STEEL BRUSHED COVERING
OTHER CYLINDER FINISH	RIBS ON CYLINDER
REFLECTING ADHESIVE STRIP	YES - HEIGHT 55mm
CONNECTION LINE TO CONTROL UNIT	STANDARD 10m (MAX. LENGTH 80m)
PROTECTION CLASS	IP67
IMPACT RESISTANCE (WITHOUT DEFORMATION)	250.000 J
BREAKOUT RESISTANCE	750.000 J



100% MADE IN ITALY