

FIXED BOLLARDS WITH BRACKETS TO BE ANCHORED IN GROUND

The fixed 275/PF 800F PILOMAT have been designed and built with architectural appearance similar to that of the retractable PILOMAT bollards and therefore also allows the combined use of both versions. Current models are the result of our 40 years' experience in the security field and in excess of 20 years in the specific design and manufacture of bollards.

GENERAL FEATURES

The fixed PILOMAT are used in public or private areas in order to define or prevent the parking of vehicles, for preventing access to vehicles in pedestrian areas. These items can be cemented to the ground (in this case, the breakout resistance depends on the depth to which it is anchored into the ground) or be secured in place by chemical anchors in places where you cannot make the same anchor, or where masonry is already completed.



PILOMAT

100% MADE IN ITALY

PAG.1/2

PILOMAT s.r.l.
www.pilomat.com / pilomat@pilomat.com
Via Zanica 17/p, 24050, Grassobbio (BG) Italy
Tel. +39.035.29.72.20
Copyright 2019© Pilomat S.r.l. All rights reserved

275/PF 800F_DATASHEET.19 REVIEW 10/09/2019

275/PF 800F



AVAILABLE ITEMS

- PILOMAT BOLLARD 275/PF 800FFEV - NORMAL STEEL PAINTED

- PILOMAT BOLLARD 275/PF 800FIXV - STAINLESS STEEL PAINTED

- PILOMAT BOLLARD 275/PF 800FIXS - STAINLESS STEEL BRUSHED

- RIBS ON FIXED CYLINDER

- HEAD WITHOUT LOGO FOR PILOMAT 275/PF 800F

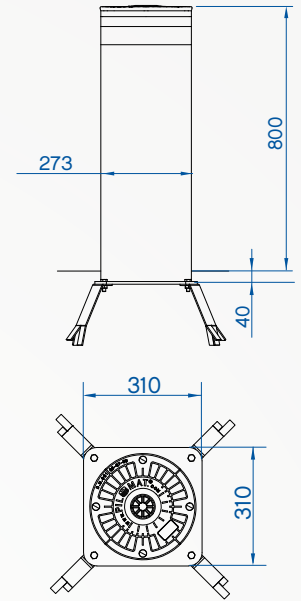
- MULTILED FLASHING LIGHT - 8 LED POINTS

- MULTILED FLASHING LIGHT- 25 LED POINTS

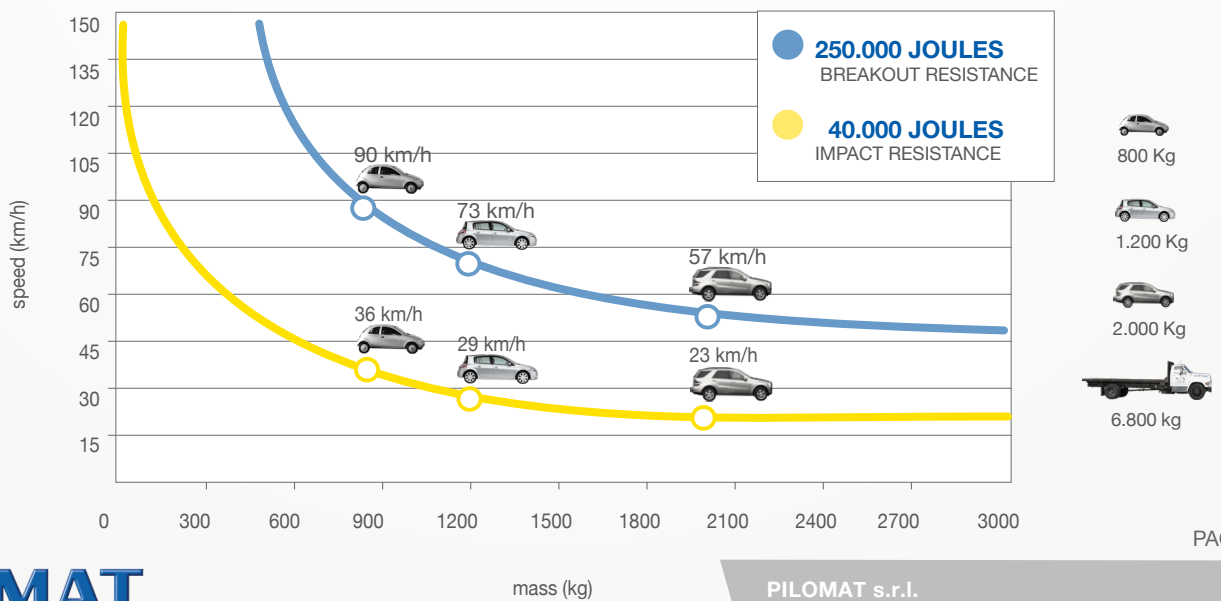
- FLASHING LIGHT POWER CIRCUIT FOR FIXED BOLLARDS (MAX. 4 BOLLARDS)

- REFLECTING ADHESIVE STRIP - WHITE (NO-LOGO)

- PAINTING WITH RAL COLOUR ON REQUEST



FIXED CYLINDER MATERIAL	S235JR NORMAL STEEL - X5CrNi 18-10 (AISI 304) STAINLESS STEEL X5CrNiMo 17-12-2 (AISI 316) STAINLESS STEEL
FIXED CYLINDER DIAMETER	273mm
FIXED CYLINDER HEIGHT	800mm
FIXED CYLINDER NORMAL STEEL THICKNESS	6mm
FIXED CYLINDER STAINLESS STEEL THICKNESS	AISI 304: 6mm - AISI 316: 4mm
FIXED CYLINDER NORMAL STEEL FINISH	ANTI-CORROSION TREATMENT - STANDARD PAINTING GREY ANTHRACITE
FIXED CYLINDER STAINLESS STEEL FINISH	GREY ANTHRACITE STANDARD OR BRUSHING
REFLECTING ADHESIVE STRIP	STANDARD - HEIGHT 55MM
PROTECTION CLASS	IP67
IMPACT RESISTANCE (WITHOUT DEFORMATION)	40.000 J
BREAKOUT RESISTANCE	250.000 J
BRACKETS TO WALL	STANDARD - N. 4 BRACKETS
CONNECTION LINE FOR FLASHING LIGHT (OPTIONAL)	STANDARD 10M (MAX. LENGTH 80M)



100% MADE IN ITALY

PILOMAT s.r.l.
www.pilomat.com / pilomat@pilomat.com
 Via Zanica 17/p, 24050, Grassobbio (BG) Italy
 Tel. +39.035.29.72.20
 Copyright 2019© Pilomat S.r.l. All rights reserved

275/PF 800F_DATASHEET.19 REVIEW 10/09/2019