

275/K12 900A



AUTOMATIC HYDRAULIC ANTI-TERRORISM BOLLARD WITH BUILT-IN PUMP

The PILOMAT 275/K12 900A automatic bollards have been designed to ensure the anti-terrorist defence. Current models are the result of our 40 years' experience in the security field and in excess of 20 years in the specific design and manufacture of automatic bollards.

The 275/K12 900A bollard is recommended for use in any security sensitive site like company driveways, industrial driveways, research centres, embassies, police facilities, military bases, etc..

The 275/K12 900A is available with a large number of optional accessories that allow you to customize your system according to your security needs.

CERTIFIED DOS SD-STD-02.01 K12 L1



PAG.1/3

PILOMAT

100% MADE IN ITALY

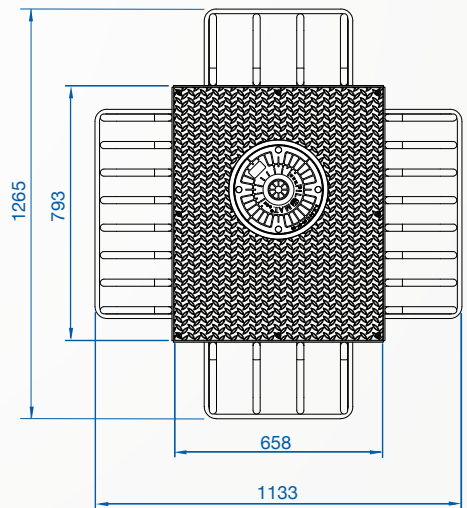
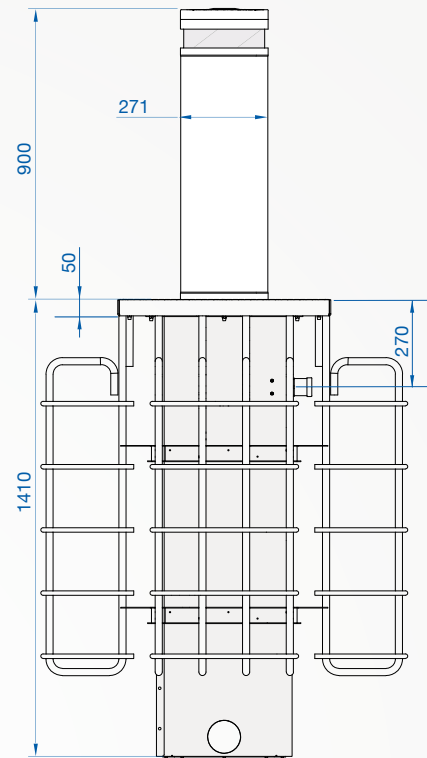
PILOMAT s.r.l.
www.pilomat.com / pilomat@pilomat.com
Via Zanica 17/p, 24050, Grassobbio (BG) Italy
Tel. +39.035.29.72.20
Copyright 2019© Pilomat S.r.l. All rights reserved

275/K12 900A_DATASHEET.19 REVIEW 05/09/2019

*Information in this document is for reference only. In pursuit of its policy of continuous refinement and improvement, Pilomat reserves the right to amend this information at any time and without prior notice.
Picture shown is for illustration purpose only.*

AVAILABLE ITEMS

PILOMAT BOLLARD 275/K12 900AFEV - NORMAL STEEL PAINTED
PILOMAT BOLLARD 275/K12 900A - STAINLESS STEEL PAINTED
PILOMAT BOLLARD 275/K12 900AIXS - STAINLESS STEEL BRUSHED
PIT IN ALUZINC FOR PILOMAT 275/K12 900A - COUNTERFRAME ONE PIT FOR EACH BOLLARD
REBARS FOR PIT 275/K12 900
CONTROL UNIT FOR PILOMAT 275/K12 900A
MULTILED FLASHING LIGHT- 25 LED POINTS
E.F.O. CIRCUIT FOR EMERGENCY RISING (ABOUT 1")
BUZZER ACOUSTIC SIGNAL FOR AUTOMATIC BOLLARD
REFLECTING ADHESIVE STRIP - WHITE (NO-LOGO)
HEAD WITHOUT LOGO FOR PILOMAT 275/K12 900A
PAINTING WITH RAL COLOUR ON REQUEST
COVERING IN AISI 316 STAINLESS STEEL FOR MOVING CYLINDER
BIODEGRADABLE OIL FOR HYDRAULIC PUMP
HEATING RESISTANCE FOR PILOMAT BOLLARDS - TRANSFORMER AND THERMOSTAT ONE RESISTANCE FOR EACH BOLLARD
RADIO RECEIVER
RADIO TRANSMITTER TWO-CHANNEL
TRAFFIC LIGHT WITH TWO LIGHTS (GREEN-RED)
INDUCTIVE DETECTOR FOR LOOPS
INDUCTIVE LOOPS
TIMER PROGRAMMER
INDUCTIVE CARD READER
LOCK SELECTOR



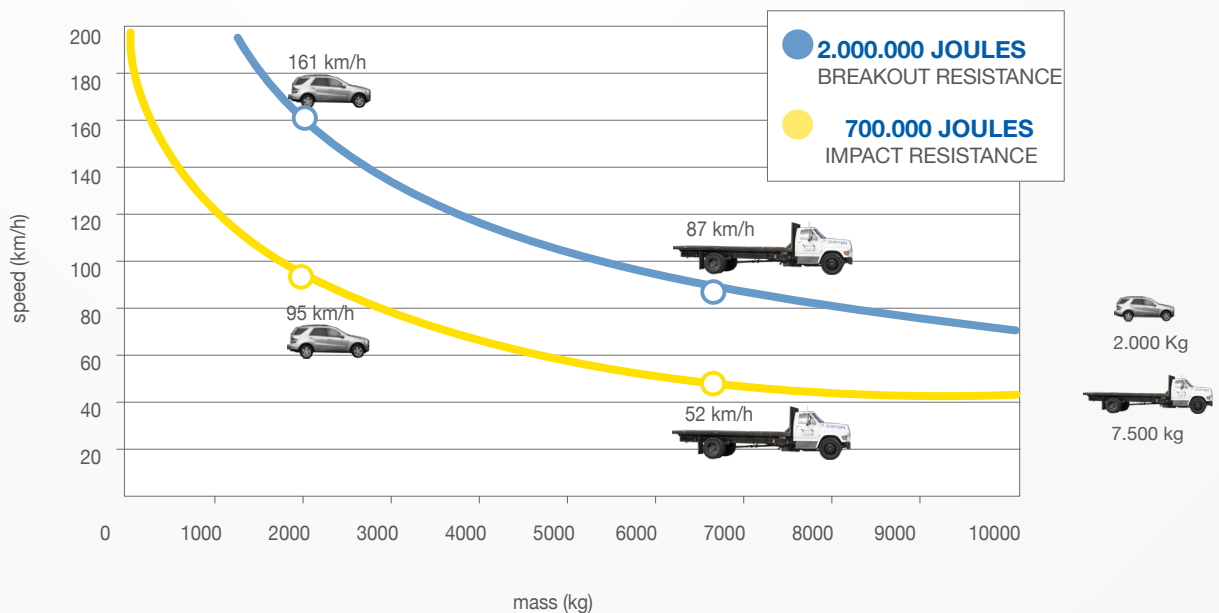
PILOMAT

100% MADE IN ITALY

275/K12 900A



CYLINDER MATERIAL	S355JR NORMAL STEEL X5CrNi 18-10 (AISI 304) STAINLESS STEEL - X5CrNiMo 17-12-2 (AISI 316) STAINLESS STEEL
CYLINDER DIAMETER	271mm
CYLINDER HEIGHT	900mm
CYLINDER THICKNESS	23mm
MOVEMENT PRINCIPLE	HYDRAULIC
CYLINDER NORMAL STEEL FINISH	ANTI-CORROSION TREATMENT - GREY ANTHRACITE STANDARD PAINTING
CYLINDER STAINLESS STEEL FINISH	GREY ANTHRACITE STANDARD PAINTING OR BRUSHED
OTHER MOVING CYLINDER FINISH	RIBS ON CYLINDER'S SURFACE
REFLECTING ADHESIVE STRIP	STANDARD - HEIGHT 55mm
RISING SPEED	21,5cm/s (STANDARD) - 22,5cm/s (E.F.O. SYSTEM) (OPTIONAL: E.F.O. RISING TIME 1,5")
LOWERING SPEED	22,5cm/s
MANUAL EMERGENCY LOWERING	STANDARD
CONNECTION LINE TO CONTROL UNIT	STANDARD 10M (MAX. LENGTH 80M - WITH HEATING RESISTANCE MAX. 50m)
VOLTAGE FOR CONTROL UNIT	230/400VAC (+/- 10%) 50/60HZ
HYDRAULIC PUMP	BUILT-IN INTO THE BOLLARD
PROTECTION CLASS	IP67
TYPE OF USE	INTENSIVE - 2.000 CYCLES/DAY
LIFE UNITS	3.000.000 CYLCES
IMPACT RESISTANCE (WITHOUT DEFORMATION)	700.000 J
BREAKOUT RESISTANCE	2.000.000 J
NOMINAL OPERATING TEMPERATURE	-40 °C +70 °C (FOR LOW TEMPERATURES SEE THE HEATING RESISTANCE)



100% MADE IN ITALY

PILOMAT s.r.l.
www.pilomat.com / pilomat@pilomat.com
 Via Zanica 17/p, 24050, Grassobbio (BG) Italy
 Tel. +39.035.29.72.20
 Copyright 2019© Pilomat S.r.l. All rights reserved