

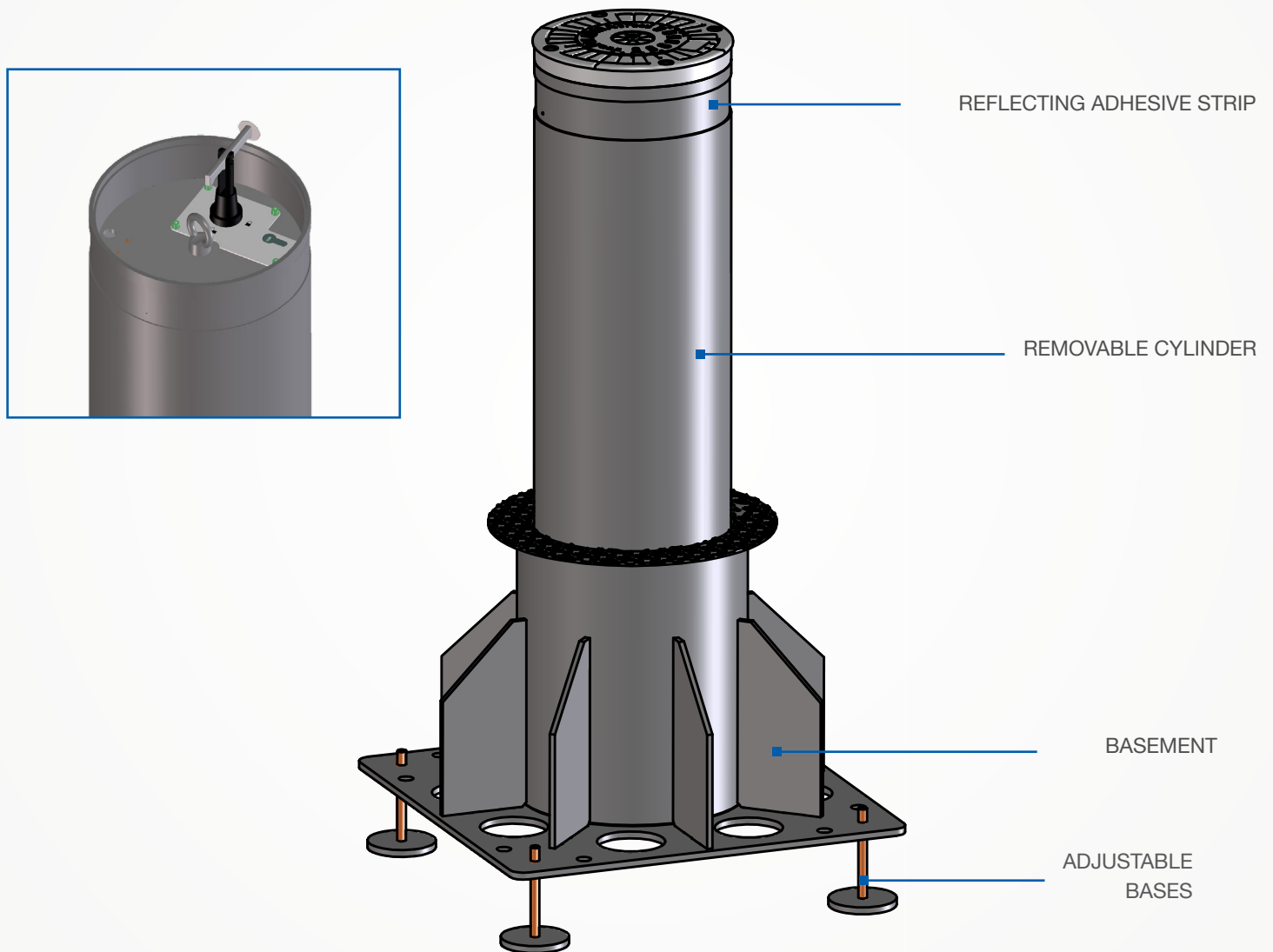
275/K4RM 700



REMOVABLE ANTITERRORISM BOLLARDS

The removable bollard PILOMAT 275/K4RM 700 are typically used to prevent the parking, transit and access of unauthorised vehicles in sensible sites.

It is advised that the removable bollard is used only if the amount of daily movements is limited (if not, the automatic version should be used) or when the depth of installation does not allow for the installation of the automatic bollards.



275/K4RM 700



AVAILABLE ITEMS

REMOVABLE BOLLARD 275/K4RM 700FEV – NORMAL STEEL PAINTED equipped with security lock and 2 keys

REMOVABLE BOLLARD 275/K4RM 700IXV – STAINLESS STEEL (AISI 304) PAINTED equipped with security lock 2 and keys

REMOVABLE BOLLARD 275/K4RM 700IXS – STAINLESS STEEL (AISI 304) BRUSHED equipped with security lock and 2 keys

NORMAL STEEL PAINTED BASEMENT TO BE FIXED INTO THE GROUND

REMOVABLE CYLINDER IN AISI 316 STAINLESS STEEL

SQUARED PERIMETRAL CROWN FOR BASEMENT (MOUNTING SET)

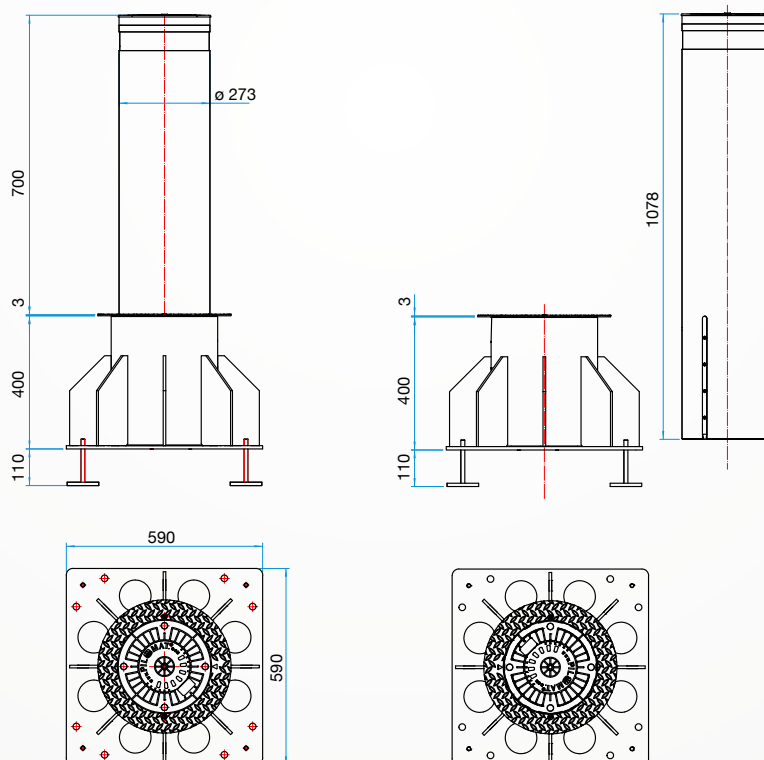
The squared perimeter crown has the same dimension of the automatic version

CYLINDER PAINTING IN ANY RAL COLOR

ADDITIONAL COST FOR SECURITY LOCK WITH IDENTICAL KEYS

ADDITIONAL SECURITY KEY FOR REMOVABLE BOLLARD

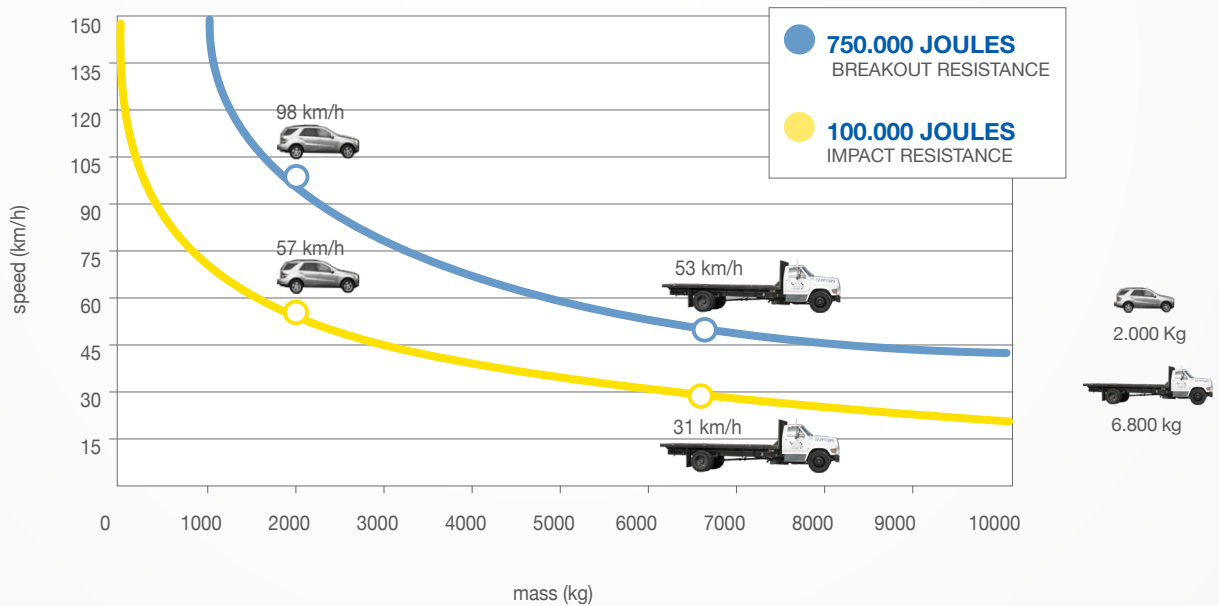
ADDITIONAL HEAD FOR 275/K4RM BOLLARD



275/K4RM 700



REMOVABLE CYLINDER MATERIAL	S355JR NORMAL STEEL - X5CrNi 18-10 (AISI 304) STAINLESS STEEL - X5CrNiMo 17-12-2 (AISI 316) STAINLESS STEEL
REMOVABLE CYLINDER DIAMETER	273mm
REMOVABLE CYLINDER HEIGHT	700mm
REMOVABLE CYLINDER THICKNESS	10mm
REMOVABLE CYLINDER NORMAL STEEL FINISH	ANTI-CORROSION TREATMENT - GREY ANTHRACITE STANDARD PAINTING
REMOVABLE CYLINDER STAINLESS STEEL FINISH	GREY ANTHRACITE STANDARD PAINTING OR BRUSHING
REFLECTING ADHESIVE STRIP	STANDARD - HEIGHT 55mm
IMPACT RESISTANCE (WITHOUT DEFORMATION)	100.000 J
BREAKOUT RESISTANCE	750.000 J
SECURITY LOCK	STANDARD - 2 KEYS INCLUDED
CYLINDER WEIGHT (WITHOUT BASEMENT)	70Kg
BASEMENT WEIGHT	115kg
PERIMETRAL CROWN (CIRCULAR)	INCLUDED IN THE SUPPLY
ANTI-CORROSION TREATMENT "M"	OPTIONAL TO BE ORDERED IN CASE OF INSTALLATIONS THAT ARE LESS THAN 2 KM FROM THE SEA TO BE ORDERED IN CASE OF INSTALLATIONS WHERE SALT IS USED ON THE ROAD TO AVOID ICE FOR A PERIOD UP TO 3 MONTHS



100% MADE IN ITALY

PILOMAT s.r.l.
 www.pilomat.com | pilomat@pilomat.com
 Via Zanica 17/p, 24050, Grassobbio (BG) Italy
 Tel. +39.035.29.72.20
 Copyright 2019© Pilomat S.r.l. All rights reserved