

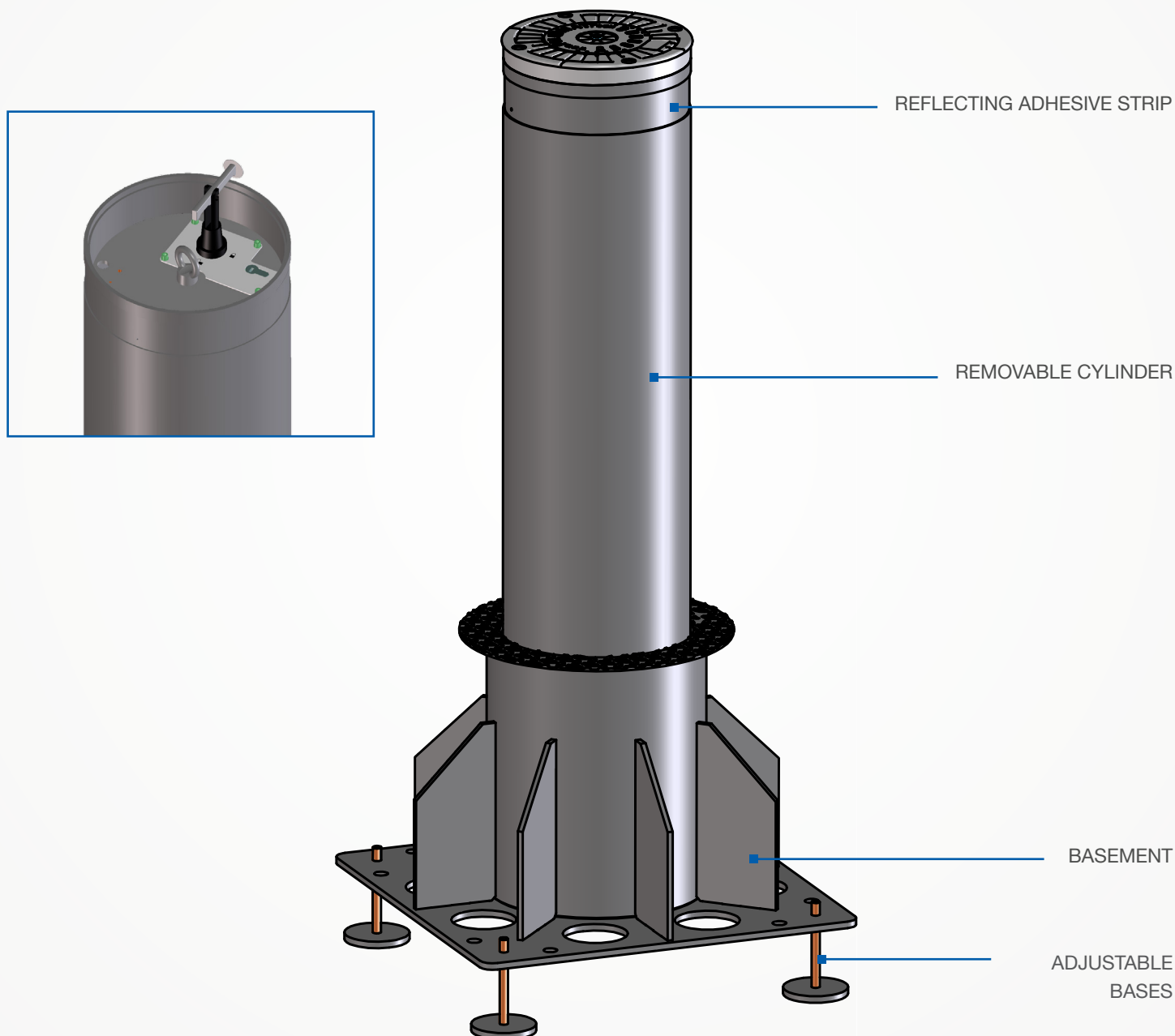
# 275/K4RM 900



## REMOVABLE ANTITERRORISM BOLLARDS

The removable bollard PILOMAT 275/K4RM 900 are typically used to prevent the parking, transit and access of unauthorised vehicles in sensible sites.

It is advised that the removable bollard is used only if the amount of daily movements is limited (if not, the automatic version should be used) or when the depth of installation does not allow for the installation of the automatic bollards.



PAG.1/3



PILOMAT s.r.l.  
www.pilomat.com | pilomat@pilomat.com  
Via Zanica 17/p, 24050, Grassobbio (BG) Italy  
Tel. +39.035.29.72.20  
Copyright 2019© Pilomat S.r.l. All rights reserved

275/K4RM900\_DATASHEET.19 REVIEW 11/12/2019

Information in this document is for reference only. In pursuit of its policy of continuous refinement and improvement, Pilomat reserves the right to amend this information at any time and without prior notice.  
Picture shown is for illustration purpose only.

# 275/K4RM 900



## AVAILABLE ITEMS

REMOVABLE BOLLARD 275/K4RM 900FEV – NORMAL STEEL PAINTED equipped with security lock and 2 keys

REMOVABLE BOLLARD 275/K4RM 900IXV – STAINLESS STEEL (AISI 304) PAINTED equipped with security lock 2 and keys

REMOVABLE BOLLARD 275/K4RM 900IXS – STAINLESS STEEL (AISI 304) BRUSHED equipped with security lock and 2 keys

NORMAL STEEL PAINTED BASEMENT TO BE FIXED INTO THE GROUND

REMOVABLE CYLINDER IN AISI 316 STAINLESS STEEL

SQUARED PERIMETRAL CROWN FOR BASEMENT (MOUNTING SET)

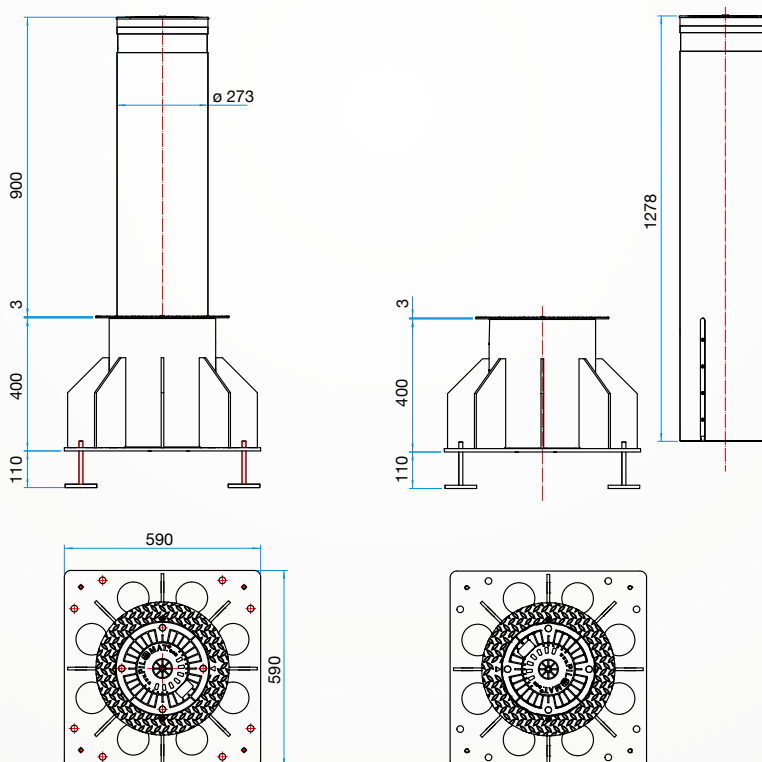
The squared perimeter crown has the same dimension of the automatic version

CYLINDER PAINTING IN ANY RAL COLOR

ADDITIONAL COST FOR SECURITY LOCK WITH IDENTICAL KEYS

ADDITIONAL SECURITY KEY FOR REMOVABLE BOLLARD

ADDITIONAL HEAD FOR 275/K4RM BOLLARD



# 275/K4RM 900



REMOVABLE CYLINDER MATERIAL	S355JR NORMAL STEEL - X5CrNi 18-10 (AISI 304) STAINLESS STEEL - X5CrNiMo 17-12-2 (AISI 316) STAINLESS STEEL
REMOVABLE CYLINDER DIAMETER	273mm
REMOVABLE CYLINDER HEIGHT	900mm
REMOVABLE CYLINDER THICKNESS	10mm
REMOVABLE CYLINDER NORMAL STEEL FINISH	ANTI-CORROSION TREATMENT - GREY ANTHRACITE STANDARD PAINTING
REMOVABLE CYLINDER STAINLESS STEEL FINISH	GREY ANTHRACITE STANDARD PAINTING OR BRUSHING
REFLECTING ADHESIVE STRIP	STANDARD - HEIGHT 55mm
IMPACT RESISTANCE (WITHOUT DEFORMATION)	100.000 J
BREAKOUT RESISTANCE	750.000 J
SECURITY LOCK	STANDARD - 2 KEYS INCLUDED
CYLINDER WEIGHT (WITHOUT BASEMENT)	82Kg
BASEMENT WEIGHT	115kg
PERIMETRAL CROWN (CIRCULAR)	INCLUDED IN THE SUPPLY
ANTI-CORROSION TREATMENT "M"	OPTIONAL TO BE ORDERED IN CASE OF INSTALLATIONS THAT ARE LESS THAN 2 KM FROM THE SEA TO BE ORDERED IN CASE OF INSTALLATIONS WHERE SALT IS USED ON THE ROAD TO AVOID ICE FOR A PERIOD UP TO 3 MONTHS

