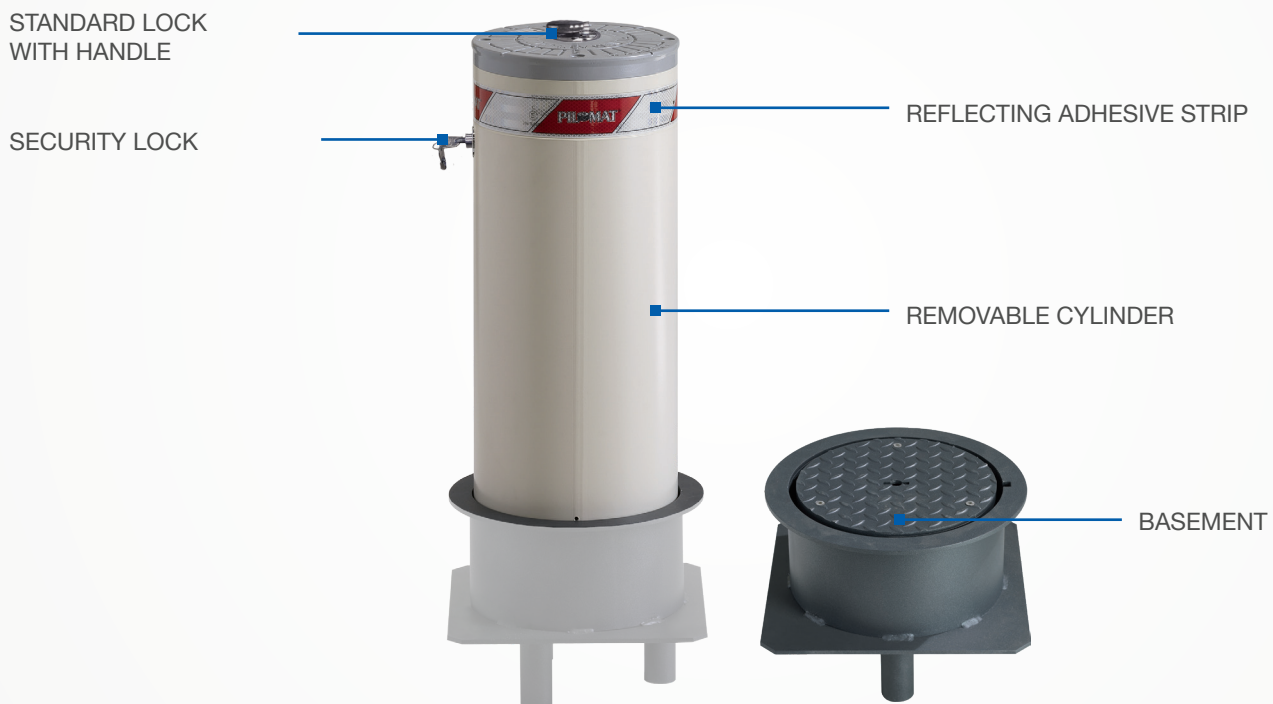


275/RM 600



REMOVABLE BOLLARDS

The removable bollard PILOMAT 275/RM 600 are typically used to prevent the parking of unauthorised vehicles, transit and access by unauthorised vehicles in driveways, and protection of shatter-proof windows. Because of the removal procedure, it is recommended to choose the removable bollards only if the amount of daily movements is limited (otherwise the automatic bollards should be used) or when the installation depth does not allow for the installation of the automatic bollards.

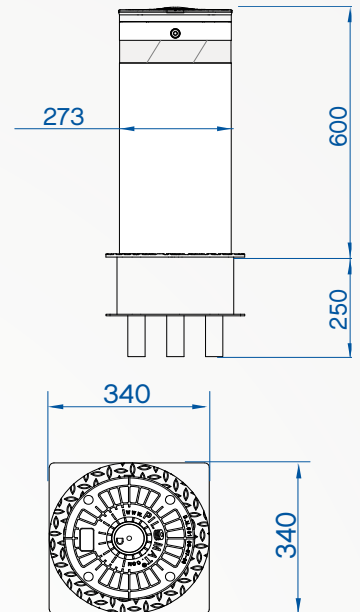


275/RM 600

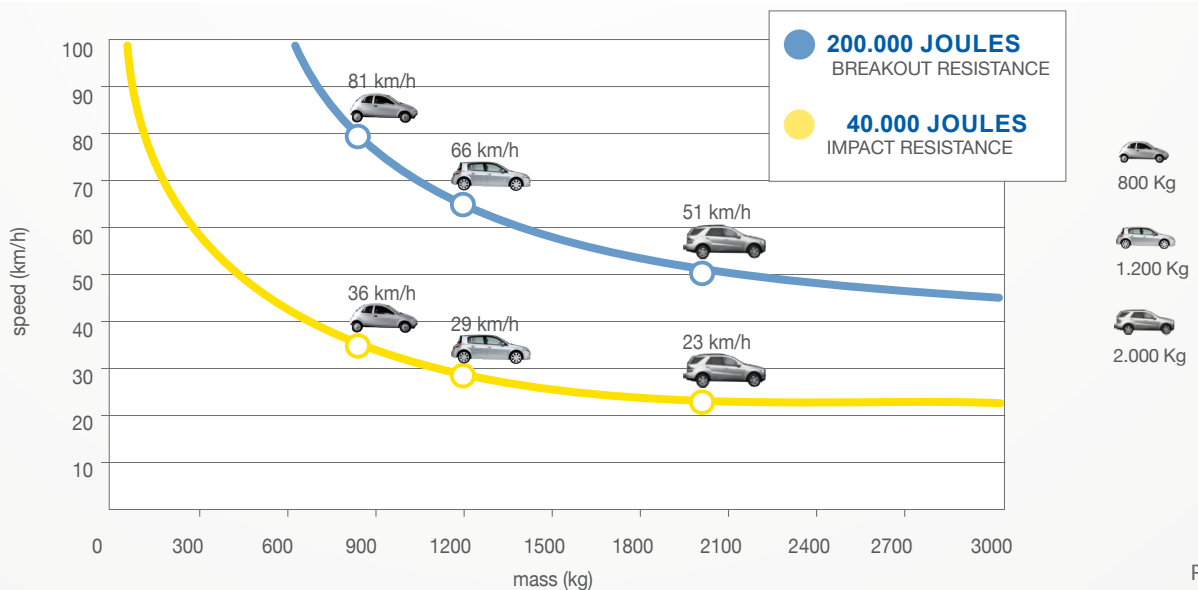


AVAILABLE ITEMS

- REMOVABLE BOLLARD 275/RM 600FEV – NORMAL STEEL PAINTED equipped with 2 standard keys
- REMOVABLE BOLLARD 275/RM 600IXS – AISI304 STAINLESS STEEL BRUSHED equipped with 2 standard keys
- ADHESIVE REFLECTING STRIP - STANDARD: RED/WHITE (PILOMAT LOGO) - OPTIONAL: WHITE (NO LOGO)
- PAINTING WITH RAL COLOUR ON REQUEST
- SECURITY LOCK WITH 2 KEYS
- SECURITY LOCK WITH IDENTICAL KEYS
- ADDITIONAL STANDARD KEY FOR REMOVABLE BOLLARD
- ADDITIONAL SECURITY KEY FOR REMOVABLE BOLLARD



REMOVABLE CYLINDER MATERIAL	S235JR NORMAL STEEL - X5CrNi 18-10 (AISI 304) STAINLESS STEEL
REMOVABLE CYLINDER DIAMETER	273mm
REMOVABLE CYLINDER HEIGHT	600mm
REMOVABLE CYLINDER THICKNESS	4mm
REMOVABLE NORMAL STEEL CYLINDER FINISH	ANTI-CORROSION TREATMENT - STANDARD PAINTING GREY ANTHRACITE
REMOVABLE STAINLESS STEEL CYLINDER FINISH	GREY ANTHRACITE STANDARD PAINTING OR BRUSHING
REFLECTING ADHESIVE STRIP	STANDARD - HEIGHT 55mm
IMPACT RESISTANCE (WITHOUT DEFORMATION)	40.000J
BREAKOUT RESISTANCE	200.000 J
OPERATING TEMPERATURE	-40 °C +70 °C
BOLLARD WEIGHT (WITHOUT BASEMENT)	22Kg
BASEMENT WEIGHT	16Kg



PAG.2/2



100% MADE IN ITALY

PILOMAT s.r.l.
 www.pilomat.com | pilomat@pilomat.com
 Via Zanica 17/p, 24050, Grassobbio (BG) Italy
 Tel. +39.035.29.72.20
 Copyright 2019© Pilomat S.r.l. All rights reserved

275/RM 600_DATASHEET.19 REVIEW 11/09/2019