

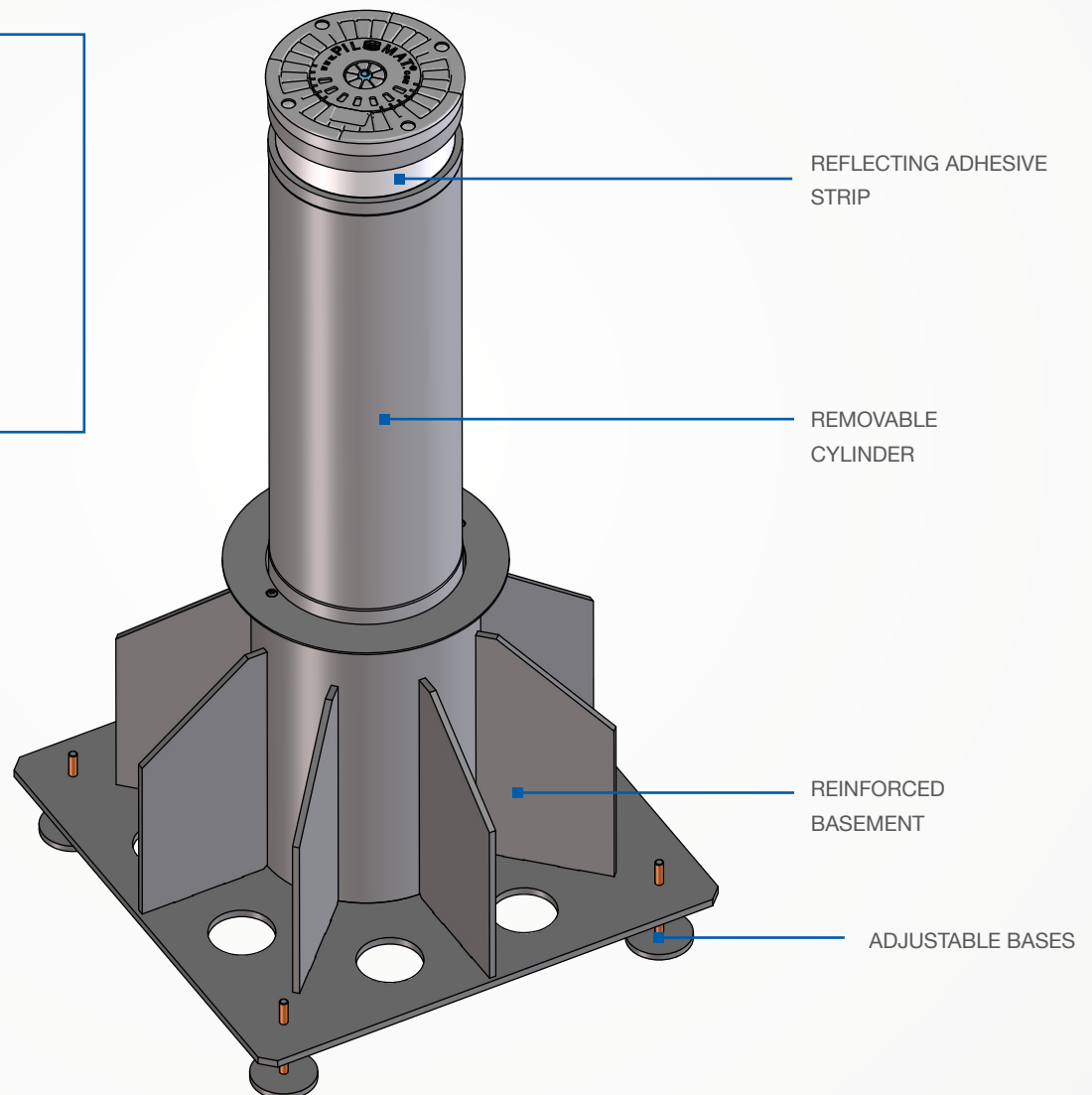
275/K12RM 900



REMOVABLE ANTITERRORISM BOLLARDS

The removable Pilomat 275/K12RM 900 bollards are typically used to prevent the parking, transit and access of unauthorised vehicles in sensible sites.

It is advised that the removable bollard is used only if the amount of daily movements is limited (if not, the automatic version should be used) or when the depth of installation does not allow for the installation of the automatic bollards.



100% MADE IN ITALY

PILOMAT s.r.l.
www.pilomat.com | pilomat@pilomat.com
Via Zanica 17/p, 24050, Grassobbio (BG) Italy
Tel. +39.035.29.72.20
Copyright 2018© Pilomat S.r.l. All rights reserved

275/K12RM 900



AVAILABLE ITEMS

REMOVABLE BOLLARD 275/K12RM 900FEV – NORMAL STEEL PAINTED equipped with security lock and 2 keys

REMOVABLE BOLLARD 275/K12RM 900IXV – STAINLESS STEEL (AISI 304) PAINTED equipped with security lock and 2 keys

REMOVABLE BOLLARD 275/K12RM 900IXS – STAINLESS STEEL (AISI 304) BRUSHED equipped with security lock and 2 keys

NORMAL STEEL PAINTED BASEMENT TO BE FIXED INTO THE GROUND

REMOVABLE CYLINDER IN AISI 316 STAINLESS STEEL

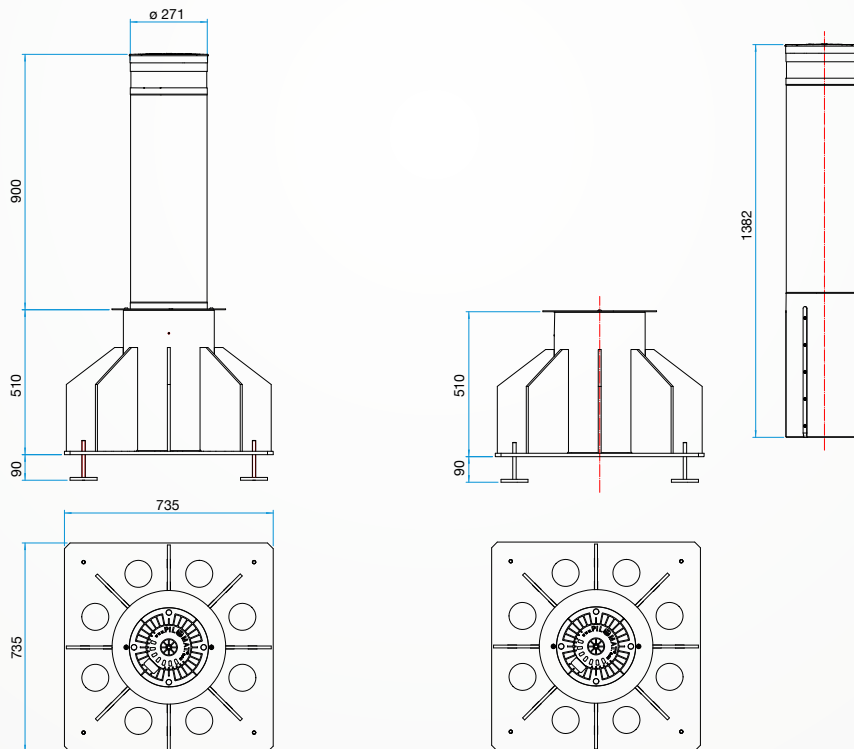
SQUARE CROWN DEVICE FOR BASEMENT (MOUNTING SET)
The squared perimeter crown has the same dimension of the automatic version

CYLINDER PAINTING IN ANY RAL COLOR

ADDITIONAL COST FOR SECURITY LOCK WITH IDENTICAL KEYS

ADDITIONAL SECURITY KEY FOR REMOVABLE BOLLARD

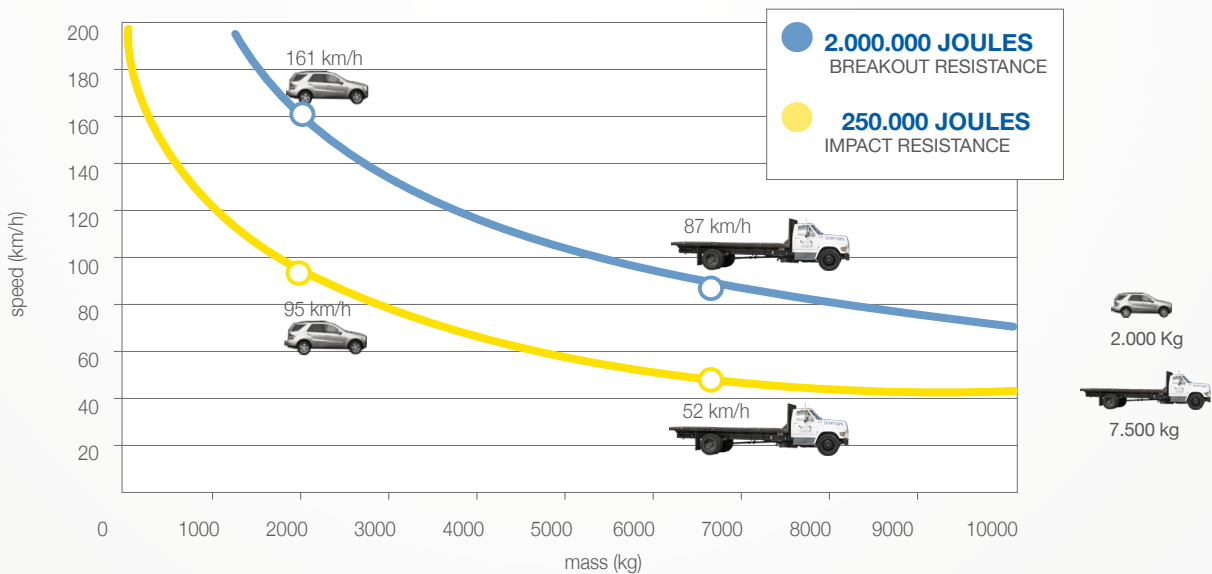
ADDITIONAL HEAD FOR 275/K12RM BOLLARD



275/K12RM 900



REMOVABLE CYLINDER MATERIAL	S235JR NORMAL STEEL - X5CrNi 18-10 (AISI 304) STAINLESS STEEL - X5CrNiMo 17-12-2 (AISI 316) STAINLESS STEEL
REMOVABLE CYLINDER DIAMETER	271mm
REMOVABLE CYLINDER HEIGHT	900mm
REMOVABLE CYLINDER THICKNESS	23mm
REMOVABLE STEEL CYLINDER FINISH	ANTI-CORROSION TREATMENT - GREY ANTHRACITE STANDARD PAINTING
REMOVABLE STAINLESS STEEL CYLINDER FINISH	GREY ANTHRACITE STANDARD PAINTING OR BRUSHING
REFLECTING ADHESIVE STRIP	STANDARD - HEIGHT 55mm
IMPACT RESISTANCE (WITHOUT DEFORMATION)	250.000 J
BREAKOUT RESISTANCE	2.000.000 J
SECURITY LOCK	STANDARD - WITH 2 KEYS
CYLINDER WEIGHT (WITHOUT BASEMENT)	182 Kg
BASEMENT WEIGHT	178Kg
PERIMETRAL CROW (CIRCULAR)	INCLUDED IN THE SUPPLY
ANTI-CORROSION TREATMENT "M"	OPTIONAL TO BE ORDERED IN CASE OF INSTALLATIONS THAT ARE LESS THAN 2 KM FROM THE SEA TO BE ORDERED IN CASE OF INSTALLATIONS WHERE SALT IS USED ON THE ROAD TO AVOID ICE FOR A PERIOD UP TO 3 MONTHS



100% MADE IN ITALY