

# DESIGN BOLLARDS



## FIXED BOLLARDS WITH GROUND FITTING TO SET IN CONCRETE OR WITH SCREW-ON FLANGE

With the fixed Design Bollards, sidewalks, pedestrian areas or public spaces can be easily separated from the rest of road traffic in an elegant and cheap way. They are mainly installed in a row so that they can be used to avoid parking or entering a certain area. The passage remains allowed for pedestrians or cyclists.

### GENERAL FEATURES

- Design bollards in either the painted steel version or with an elegant stainless steel surface;
- 5 models and 3 different diameters for a harmonious design;
- Simple installation with embedding in concrete or with screw-on flange.



VERSION WITH  
GROUND FITTING TO  
SET IN CONCRETE



VERSION WITH  
SCREW-ON FLANGE  
(optional)



STRAIGHT COVER



CONCAVE COVER



CHAMFERED COVER



WIDE RING

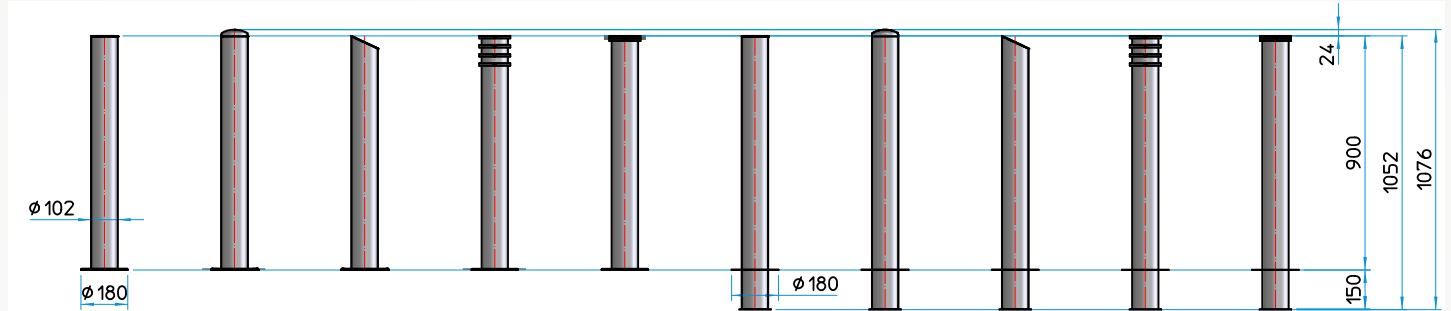


QUADRUPLE RING

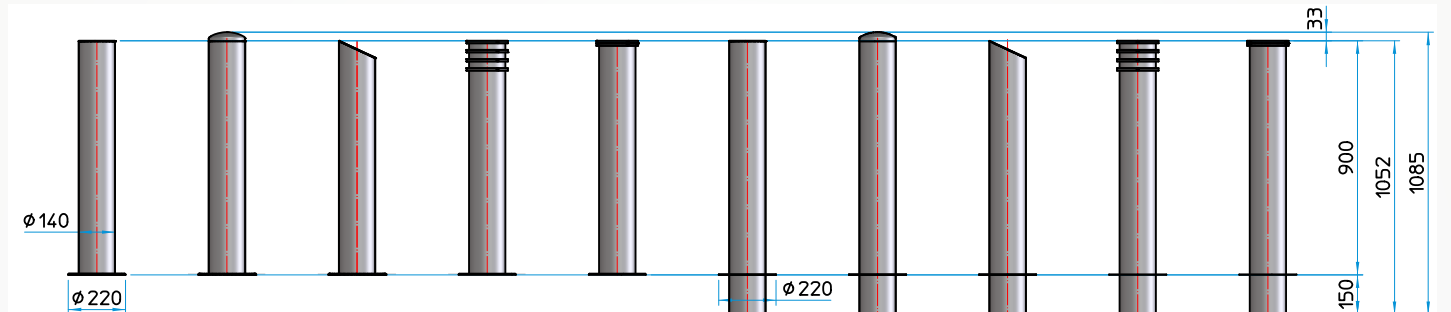
# DESIGN BOLLARDS



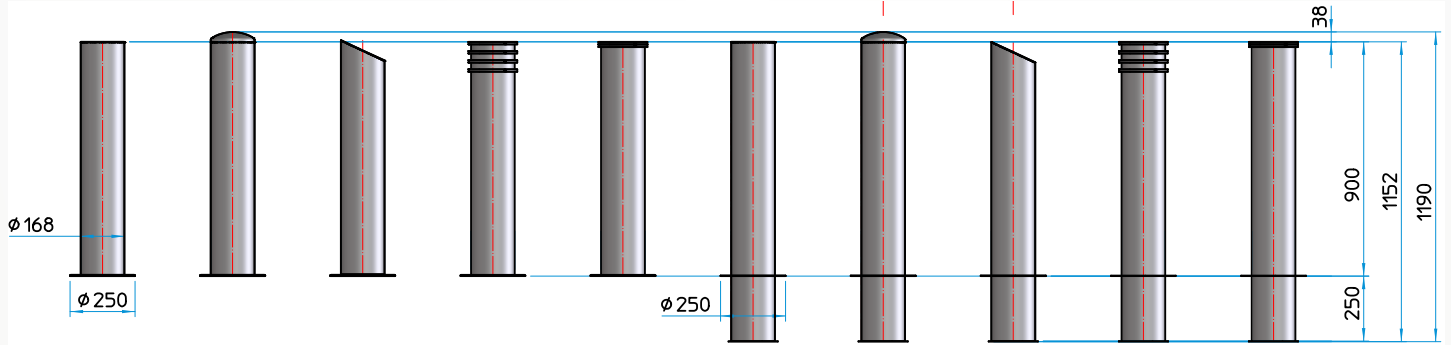
## F 102-900



## F 140-900



## F 168-900



CYLINDER MATERIAL	S235JR STEEL - X5CrNi 18-10 (AISI 304) STAINLESS STEEL
CYLINDER DIAMETER	102mm - 140mm - 168mm
CYLINDER HEIGHT	900mm (optional up to 1200mm)
CYLINDER THICKNESS	2mm
CYLINDER FINISH (STEEL)	ANTI-CORROSION TREATMENT - GREY ANTHRACITE STANDARD PAINTING (RAL 7016)
CYLINDER FINISH (STAINLESS STEEL)	GREY ANTHRACITE STANDARD BRUSHING
FOUNDATION DEPTH (model for fitting in concrete)	150mm ( $\phi 102 - 140$ mm) or 250mm ( $\phi 168$ mm)
BREAKOUT RESISTANCE	200.000 J (only if equipped with reinforced cylinder and reinforced ground fitting)