

# B4040 55



## ENERGY TOWERS

The semiautomatic ENERGY B4040 55 towers are designed to provide complementary services such as electricity and telephone communications, compressed air and water. They are used in those places typically used for parking or pedestrian areas, and sometimes used as market areas and places for events, concerts and similar. The use of ENERGY B4040 55 prevents the laying of cables and tubes, guaranteeing greater security for its users. Current models are the result of the dedication of more than 40 years in the field of access control, and a twenty-year specialization in bollards.

### GENERAL FEATURES

The B4040 55 ENERGY towers, at semiautomatic movement, allow for multiple installations of single-phase and/or three-phase 16A, 32A, and 63A, in accordance with EN 60301-1 EN 60301-2 regulations and related protective circuit breakers. The coverplate at the top of the movement tower is in compliance with UNI EN 124 regulations with load class D400.



PAG.1/4

**PILOMAT**  
**HÖRMANN**  
100% MADE IN ITALY

PILOMAT s.r.l.  
www.pilomat.com / pilomat@pilomat.com  
Via Zanica 17/p, 24050, Grassobbio (BG) Italy  
Tel. +39.035.29.72.20  
Copyright 2021© Pilomat S.r.l. All rights reserved

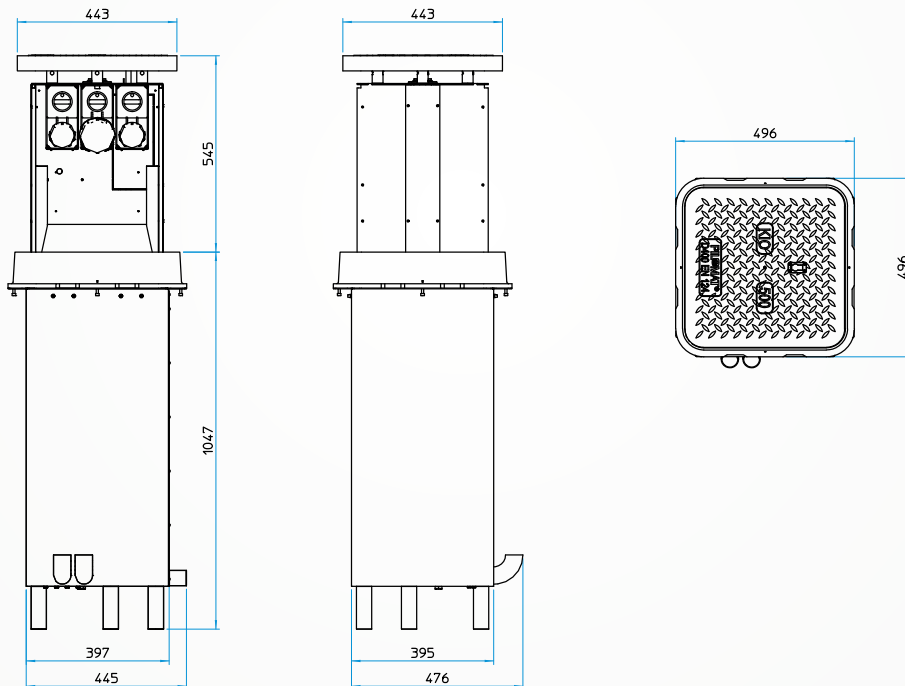
REVIEW 02/09/2021

*Information in this document is for reference only. In pursuit of its policy of continuous refinement and improvement, Pilomat reserves the right to amend this information at any time and without prior notice.  
Picture shown is for illustration purpose only.*

# B4040 55



TOWER MATERIAL	S235JR NORMAL STEEL - X5CrNi18-10 (AISI 304) STAINLESS STEEL
TOWER DIMENSIONS	400x400mm
TOWER HEIGHT	545mm
TOWER NORMAL STEEL FINISH	ANTICORROSION TREATMENT - COLOR: YELLOW
TOWER STAINLESS STEEL FINISH	PAINTING YELLOW COLOR
ANTICORROSION TREATMENT STEEL PIT	CATAPHORESIS
CONNECTION LINES COUPLE OUT OF THE TOWER	STANDARD 3m (only if the tower is ordered complete with sockets)
PROTECTION CLASS ELECTRICAL COMPONENTS	IP66 - IP67
CLASS OF LOAD	D400
POSSIBILITY OF FILLABLE COVERPLATE	OPTIONAL 40mm FILLABLE DEPTH



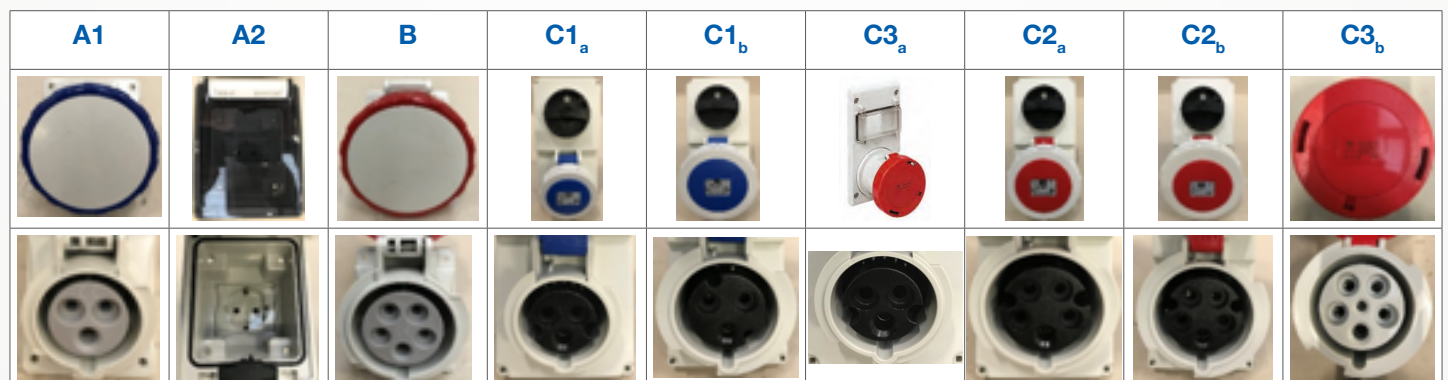
# B4040 55



## AVAILABLE ITEMS - TOWER IP66

The general electrical configuration (30/40/50Kw) must be defined according to the sockets configuration		
BASIC CONFIGURATION 30KW - GENERAL DIFFERENTIAL SWITCH 4P 40A 30MA - GEARCASE IP66 - WITH CABLE 5G6 LENGTH 3m		
BASIC CONFIGURATION 40KW - GENERAL DIFFERENTIAL SWITCH 4P 63A 30MA - GEARCASE IP66 - WITH CABLE 5G10 LENGTH 3m		
BASIC CONFIGURATION 50KW - GENERAL DIFFERENTIAL SWITCH 4P 80A 30MA - GEARCASE IP66 - WITH CABLE 5G16 LENGTH 3m		
A	A1	SOCKET IEC309 - 230V 16A 2P+T - WITH MAGNETOTHERMIC SWITCH 1P+N 16A 6KA
	A2	SCHUKO SOCKET - 230V 16A 2P+T - WITH MAGNETOTHERMIC SWITCH 1P+N 16A 6KA
B	SOCKET IEC309 - 400V 16A 3P+N+T - WITH MAGNETOTHERMIC SWITCH 4P+N 16A 6KA	
C	C1 <sub>a</sub>	INTERBLOCK SOCKET IEC309-230V 16A 2P+G - WITH MAGNETOTHERMIC SWITCH 1P+N 16A 6KA
	C1 <sub>b</sub>	INTERBLOCK SOCKET IEC309-230V 32A 2P+G - WITH MAGNETOTHERMIC SWITCH 1P+N 32A 6KA
	C3 <sub>a</sub>	INTERBLOCK SOCKET IEC309-230V 63A 2P+G - WITH MAGNETOTHERMIC SWITCH 1P+N 63A 6KA
	C2 <sub>a</sub>	INTERBLOCK SOCKET IEC309-400V 16A 3P+N+G - WITH MAGNETOTHERMIC SWITCH 4P 16A 6KA
	C2 <sub>b</sub>	INTERBLOCK SOCKET IEC309-400V 32A 3P+N+G - WITH MAGNETOTHERMIC SWITCH 4P 32A 6KA
	C3 <sub>b</sub>	INTERBLOCK SOCKET IEC309-400V 63A 3P+N+G - WITH MAGNETOTHERMIC SWITCH 4P 63A 6KA
T	TELEPHONE CONFIGURATION RJ45 IN HOUSING IP55 - CONNECTION LINE LENGTH 3M	
cA	COMPRESSED AIR COCK WITH QUICK CONNECTION - FLEXIBLE TUBE LENGTH 3M	
W	WATER CONFIGURATION WITH WATER COCK WITH QUICK CONNECTION - FLEXIBLE TUBE LENGTH 3M	
<b>ELECTRIC CONFIGURATION FOR ENERGY B4040 55 WITH GENERAL MAGNETOTHERMIC SWITCH - DIFFERENTIAL MAGNETOTHERMIC SWITCH FOR EVERY SOCKET</b>		
<b>ATTENTION! REDUCED CONFIGURATION FOR THIS OPTION</b>		

8xA	7xA 1xB	6xA 2xB	5xA 3xB	2xA								
				1xC3	6xC1	5xC1 1xC2	4xC1 2xC2	3xC1 3xC2	3xC1 1xC3	2xC1 4xC2	1xC1 5xC2	
1xC2 1xC3	4xA 3xC1	4xA 2xC1 1xC2	4xA 1xC1 2xC2	4xA 3xC2	3xA 1xB 3xC1	3xA 1xB 2xC1 1xC2	3xA 1xB 1xC1 2xC2	3xA 1xB 3xC2	2xA 2xB 3xC1	2xA 2xB 2xC1 1xC2	2xA 2xB 1xC1 2xC2	



4xT	2xT 1xcA	2xT 1xW	2xcA	1xcA 1xW
-----	-------------	------------	------	-------------

PAG.3/4

**PILOMAT**  
**HÖRMANN**  
100% MADE IN ITALY

PILOMAT s.r.l.  
www.pilomat.com / pilomat@pilomat.com  
Via Zanica 17/p, 24050, Grassobbio (BG) Italy  
Tel. +39.035.29.72.20  
Copyright 2021© Pilomat S.r.l. All rights reserved

REVIEW 02/09/2021

Information in this document is for reference only. In pursuit of its policy of continuous refinement and improvement, Pilomat reserves the right to amend this information at any time and without prior notice.  
Picture shown is for illustration purpose only.

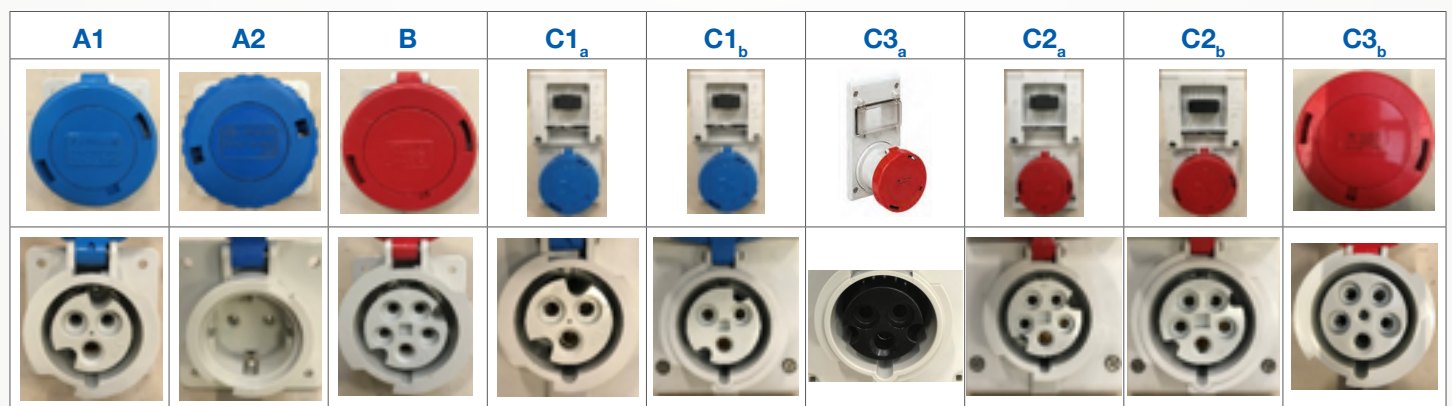
# B4040 55



## AVAILABLE ITEMS - TOWER IP 67

The general electrical configuration (30/40/50Kw) must be defined according to the sockets configuration		
BASIC CONFIGURATION 30KW - GENERAL DIFFERENTIAL SWITCH 4P 40A 30MA - GEARCASE IP66 - WITH CABLE 5G6 LENGTH 3m		
BASIC CONFIGURATION 40KW - GENERAL DIFFERENTIAL SWITCH 4P 63A 30MA - GEARCASE IP66 - WITH CABLE 5G10 LENGTH 3m		
BASIC CONFIGURATION 50KW - GENERAL DIFFERENTIAL SWITCH 4P 80A 30MA - GEARCASE IP66 - WITH CABLE 5G16 LENGTH 3m		
A	A1	SOCKET IEC309 - 230V 16A 2P+G - WITH MAGNETOTHERMIC SWITCH 1P+N 16A 6KA
	A2	SCHUKO SOCKET- 230V 16A 2P+G - WITH MAGNETOTHERMIC SWITCH 1P+N 16A 6KA
B	SOCKET IEC309 - 400V 16A 3P+N+G - WITH MAGNETOTHERMIC SWITCH 4P+N 16A 6KA	
C	C1 <sub>a</sub>	INTERBLOCK SOCKET IEC309-230V 16A 2P+G - WITH MAGNETOTHERMIC SWITCH 1P+N 16A 6KA
	C1 <sub>b</sub>	INTERBLOCK SOCKET IEC309-230V 32A 2P+G - WITH MAGNETOTHERMIC SWITCH 1P+N 32A 6KA
	C3 <sub>a</sub>	INTERBLOCK SOCKET IEC309-230V 63A 2P+G - WITH MAGNETOTHERMIC SWITCH 1P+N 63A 6KA
	C2 <sub>a</sub>	INTERBLOCK SOCKET IEC309-400V 16A 3P+N+G - WITH MAGNETOTHERMIC SWITCH 4P 16A 6KA
	C2 <sub>b</sub>	INTERBLOCK SOCKET IEC309-400V 32A 3P+N+G - WITH MAGNETOTHERMIC SWITCH 4P 32A 6KA
	C3 <sub>b</sub>	INTERBLOCK SOCKET IEC309-400V 63A 3P+N+G - WITH MAGNETOTHERMIC SWITCH 4P 63A 6KA
T	TELEPHONE CONFIGURATION RJ45 IN HOUSING IP55 - CONNECTION LINE LENGTH 3M	
cA	COMPRESSED AIR COCK WITH QUICK CONNECTION - FLEXIBLE TUBE LENGTH 3M	
W	WATER CONFIGURATION WITH WATER COCK WITH QUICK CONNECTION - FLEXIBLE TUBE LENGTH 3M	
<b>ELECTRIC CONFIGURATION FOR ENERGY B4040 55 WITH GENERAL MAGNETOTHERMIC SWITCH - DIFFERENTIAL MAGNETOTHERMIC SWITCH FOR EVERY SOCKET</b>		
<b>ATTENTION! REDUCED CONFIGURATION FOR THIS OPTION</b>		

12xA	11xA 1xB	10xA 2xB	9xA 3xB	8xA 4xB	6xA 5xB	6xA	2xA 1xB	2xA								
						1xC3	1xC3	1xC2 1xC3	6xC1	5xC1 1xC2	4xC1 2xC2	3xC1 3xC2	3xC1	2xC1 4xC2	2xC1 1xC2	2xC1 1xC3
1xC1 5xC2	6xA 3xC1	6xA 2xC1 1xC2	6xA 1xC1 2xC2	6xA 3xC2	5xA 1xB 3xC1	5xA 1xB 2xC1 1xC2	5xA 1xB 1xC1 2xC2	5xA 1xB 3xC2	4xA 2xB 3xC1	4xA 2xB 2xC1 1xC2	4xA 2xB 1xC1 2xC2	3xA 3xB 3xC1	3xA 3xB 2xC1 1xC2	3xA 3xB 1xC1 2xC2	3xA 2xB 3xC2	3xA 2xB 3xC2



4xT	2xT 1xcA	2xT 1xW	2xcA	1xcA 1xW
-----	-------------	------------	------	-------------

PAG.4/4

**PILOMAT**  
**HÖRMANN**  
100% MADE IN ITALY

PILOMAT s.r.l.  
www.pilomat.com / pilomat@pilomat.com  
Via Zanica 17/p, 24050, Grassobbio (BG) Italy  
Tel. +39.035.29.72.20  
Copyright 2021© Pilomat S.r.l. All rights reserved

REVIEW 02/09/2021

Information in this document is for reference only. In pursuit of its policy of continuous refinement and improvement, Pilomat reserves the right to amend this information at any time and without prior notice.  
Picture shown is for illustration purpose only.