

RB500

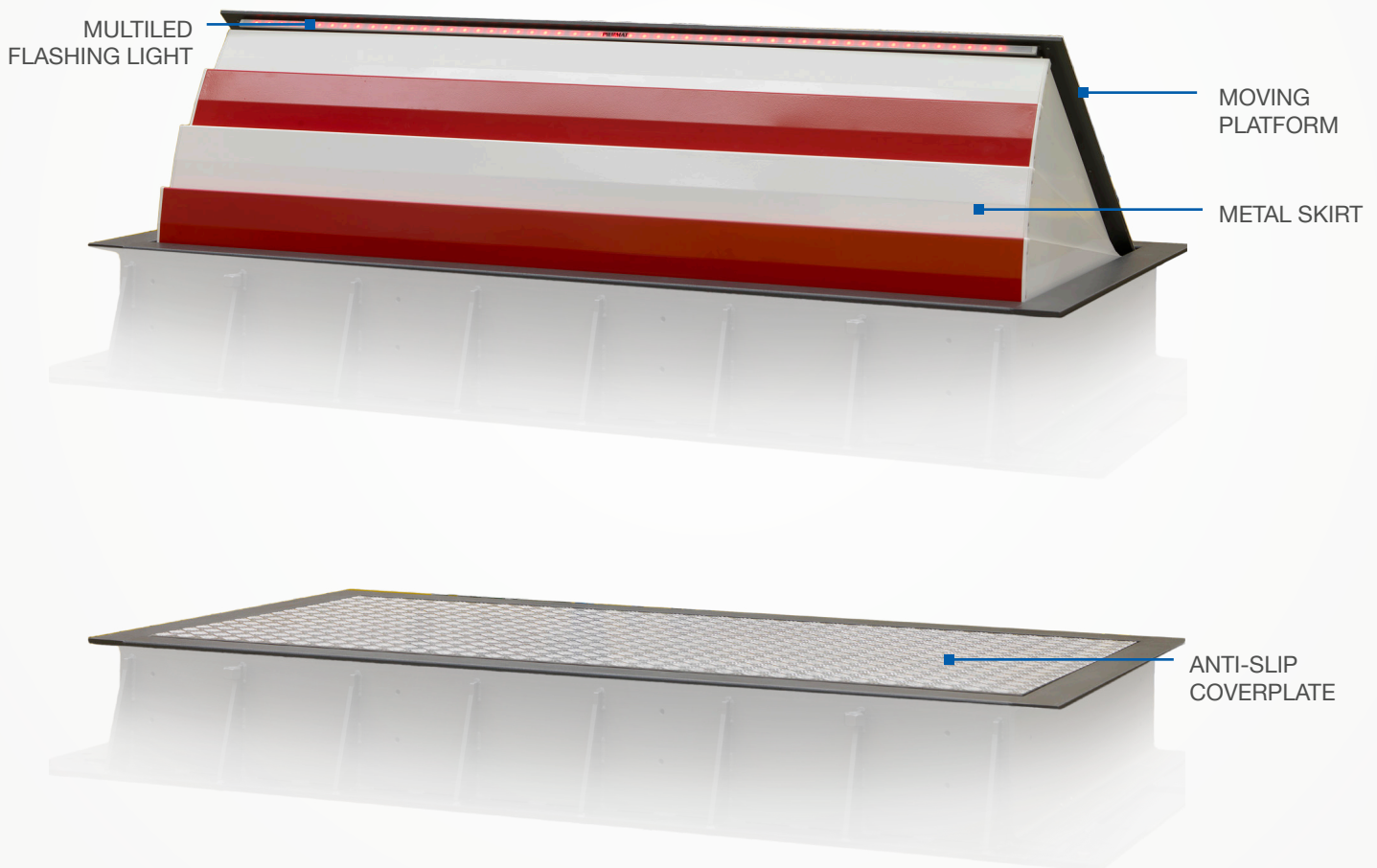


ROAD BLOCKER

The ROAD BLOCKERS are built “shallow mounted” for limiting the depth of the basement compartment and to avoid the main problems of laying in presence of public services (cables ducts, drainage systems, and similar); moreover it is possible to install the road blocker “on ground level” by using a slope. Current models are the result of our 40 years’ experience in the security field and in excess of 20 years in the specific design and manufacture of bollards.

GENERAL FEATURES

RB500 is the basic version, not certified, typically used for perimeter protection of companies, hotels, convention centers and similar. The 500 series requires the installation of a basement compartment of about 300mm. It rises from the ground 500mm and the widths available are : 2m, 3m, 4m, 5m and 6m.





AVAILABLE ITEMS

MULTILED LIGHTING STRIP - 30 LED POINTS/m

METAL SKIRT FOR CLOSING FRONT AND SIDE OF RB500 (WHITE/RED)

COVERPLATE IN S235JR NORMAL STEEL WITH ANTISLIP PAINTING
(OPTIONAL: COVERPLATE IN STAINLESS STEEL WITH ANTISLIP PAINTING)

E.F.O. CIRCUIT FOR EMERGENCY RISING (ABOUT 1,5s)

DEVICE FOR MANUAL HANDLING

FLOOR BASEMENT FOR CONTROL UNIT HOUSING
(THE BASEMENT IS ESSENTIAL IF RB1000 IS EQUIPPED WITH DEVICE FOR MANUAL HANDLING)

ADDITIONAL CONNECTION LINE RB500 - CONTROL UNIT (MAX. 30m)

FEEDER/ACCUMULATOR GROUP ON CONTROL PANEL FOR EMERGENCY LOWERING

HEATING RESISTANCE

RADIO RECEIVER

RADIO TRANSMITTER TWO-CHANNEL

TRAFFIC LIGHT WITH TWO LIGHT (GREEN-RED)

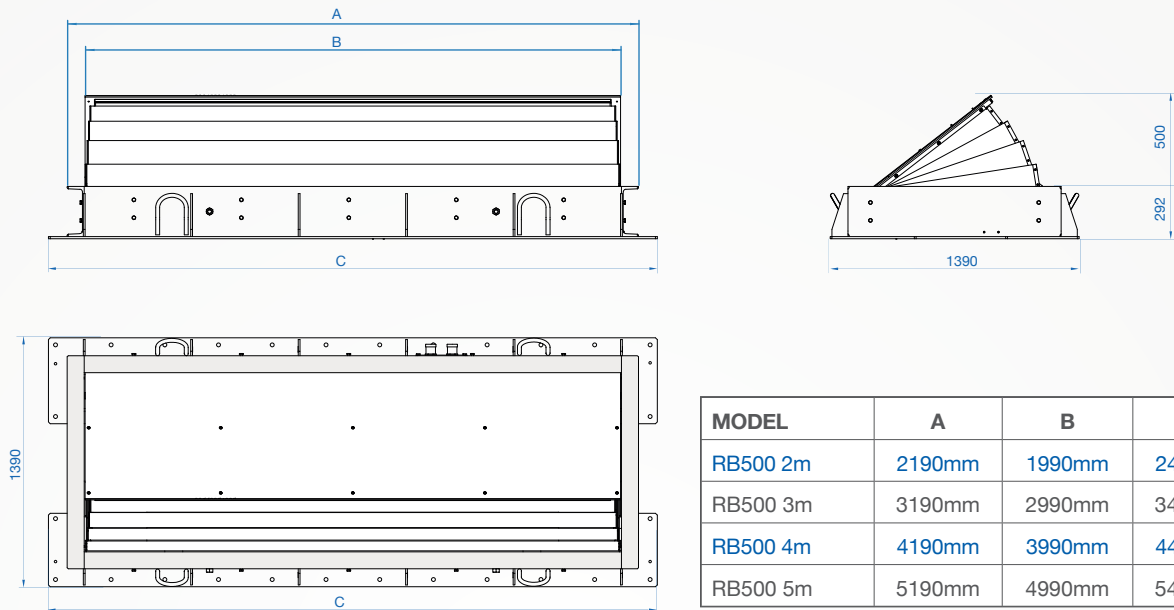
INDUCTIVE DETECTOR FOR LOOPS

INDUCTIVE LOOPS

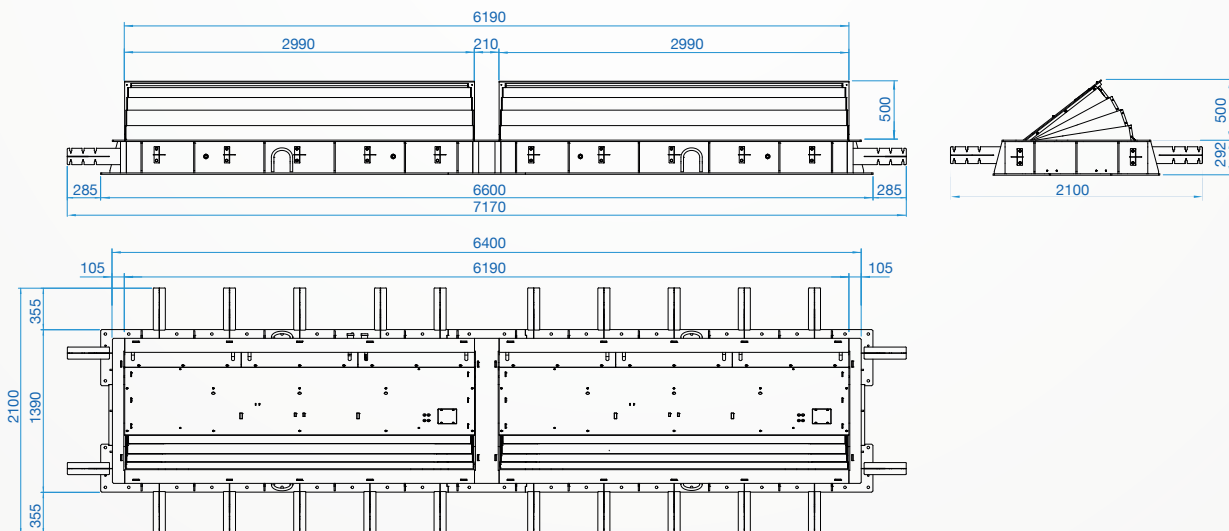
RB500



MODEL FROM 2m TO 5m



MODEL 6m





ROAD BLOCKER HEIGHT FROM GROUND LEVEL	500mm
ROAD BLOCKER WIDTH (MOVING PLATFORM)	2m - 3m - 4m - 5m - 6m
ROAD BLOCKER DEPTH	300mm
MOVEMENT PRINCIPLE	HYDRAULIC
RISING SPEED	10cm/sec (2-3-4m) - 11,1cm/sec (5-6m)
LOWERING SPEED	10cm/sec (2-3-4m) - 11,1cm/sec (5-6m)
MOVING PLATFORM FINISH	CHEQUERED NORMAL STEEL COVER (Optional: CHEQUERED STAINLESS STEEL COVER)
TYPE OF USE	INTENSIVE - 2.000 CYCLES/DAY
LIFE UNITS	3.000.000 CYCLES
REFLECTING ADHESIVE STRIP	STANDARD - HEIGHT 55mm
E.F.O. CIRCUIT FOR EMERGENCY RISING	OPTIONAL - E.F.O. RISING TIME 1,5s
DEVICE FOR MANUAL HANDLING	OPTIONAL
MULTILED LIGHTING STRIP 30 LED POINTS/m	OPTIONAL
METAL SKIRT TO CLOSE FRONT AND SIDE OF ROAD BLOCKER	STANDARD COLOR: WHITE/RED OPTIONAL: RAL COLOR REQUEST
VOLTAGE FOR CONTROL UNIT	230VAC (+/- 10%) - 50/60HZ
CONNECTION LINE TO CONTROL UNIT	STANDARD 10m (MAX: 30m)
PROTECTION CLASS	IP 67
BREAKOUT RESISTANCE	750.000 J
NOMINAL OPERATING TEMPERATURE	-40 °C +70 °C (FOR LOW TEMPERATURES SEE THE HEATING RESISTANCE)
ANTI-CORROSION TREATMENT "M"	OPTIONAL - RECOMMENDED FOR INSTALLATIONS AT LESS THAN 2KM FROM THE SEA OR WHERE SALT IS USED TO PREVENT THE FORMATION OF ICE ON ROADS DURING WINTER
STAINLESS STEEL CHEQUERED COVER	OPTIONAL - RECOMMENDED FOR INSTALLATIONS AT LESS THAN 2KM FROM THE SEA OR WHERE SALT IS USED TO PREVENT THE FORMATION OF ICE ON ROADS DURING WINTER
CONTROL UNIT COOLING	OPTIONAL - RECOMMENDED FOR INSTALLATIONS WITH CONTROL UNIT LOCATED OUTSIDE (UNDER THE SUN) IN PLACES WHERE THE SUMMER TEMPERATURE IS HIGHER THAN 40°C. TO BE ORDERED IN CASE OF USE EXCEEDING 100 CYCLES/HOUR
LOAD CLASS (EN124)	D400